

EL120 Explosion-Proof Actuator Installation and Service Manual



II 2G
Ex d IIB+H₂ T4 Gb



2813



163694
Class I Division 1
Groups B, C, D, T4

Information furnished by Exlar Corporation is believed to be accurate and reliable. However, no responsibility is assumed by Exlar Corporation for its use. Exlar reserves the right to change the design and operation of the equipment described herein and any associated motion products that may appear in this document. Information in this document pertaining to equipment not furnished by Exlar should be confirmed by that equipment manufacturer. Exlar assumes no responsibility for changes to information by other manufacturers or errors in that information or the description of that information. Information in this document is subject to change without notice.

This document does not contain any export controlled technical data.

WARRANTY AND LIMITATION OF LIABILITY

Products are warranted for two years from date of manufacture as determined by the serial number on the product label. Labels are generated and applied to the product at the time of shipment. The first and second digits are the year and the third and fourth digits represent the manufacturing week. Product repairs are warranted for 90 days from the date of the repair. The date of repair is recorded within Exlar's database tracked by individual product serial number.

Exlar Corporation warrants its product(s) to the original purchaser and in the case of original equipment manufacturers, to their original customer to be free from defects in material and workmanship and to be made only in accordance with Exlar's standard published catalog specifications for the product(s) as published at the time of purchase. Warranty or performance to any other specifications is not covered by this warranty unless otherwise agreed to in writing by Exlar and documented as part of any and all contracts, including but not limited to purchase orders, sales orders, order confirmations, purchase contracts and purchase agreements. In no event shall Exlar be liable or have any responsibility under such warranty if the product(s) has been improperly stored, installed, used or maintained, or if Buyer has permitted any unauthorized modifications, adjustments and/or repairs to such product(s). Seller's obligation hereunder is limited solely to repairing or replacing (at its opinion), at the factory any product(s), or parts thereof, which prove to Seller's satisfaction to be defective as a result of defective materials, or workmanship and within the period of time, in accordance with the Seller's stated product warranty (see Terms and Conditions above), provided, however, that written notice of claimed defects shall have been given to Exlar within thirty (30) days from the date of any such defect is first discovered. The product(s) claimed to be defective must be returned to Exlar, transportation prepaid by Buyer, with written specification of the claimed defect. Evidence acceptable to Exlar must be furnished that the claimed defects were not caused by misuse, abuse, or neglect by anyone other than Exlar.

Components such as seals, wipers, bearings, brakes, bushings, gears, splines, and roller screw parts are considered wear parts and must be inspected and serviced on a regular basis. Any damage caused by failure to properly lubricate Exlar products and/or to replace wear parts at appropriate times, is not covered by this warranty. Any damage due to excessive loading is not covered by this warranty.

The use of products or components under load such that they reach the end of their expected life is a normal characteristic of the application of mechanical products. Reaching the end of a product's expected life does not indicate any defect in material or workmanship and is not covered by this warranty.

Costs for shipment of units returned to the factory for warranty repairs are the responsibility of the owner of the product. Exlar will return ship all warranty repairs or replacements via UPS Ground at no cost to the customer.

For international customers, Exlar will return ship warranty repairs or replacements via UPS Expedited Service and cover the associated shipping costs. Any VAT or local country taxes are the responsibility of the owner of the product.

The foregoing warranty is in lieu of all other warranties (except as Title), whether expressed or implied, including without limitation, any warranty of merchantability, or of fitness for any particular purpose, other than as expressly set forth and to the extent specified herein, and is in lieu of all other obligations or liabilities on the part of Exlar.

Seller's maximum liability with respect to these terms and conditions and any resulting sale, arising from any cause whatsoever, including without limitation, breach of contract or negligence, shall not exceed the price specified herein of the product(s) giving rise to the claim, and in no event shall Exlar be liable under this warranty otherwise for special, incidental or consequential damages, whether similar or dissimilar, of any nature arising or resulting from the purchase, installation, removal, repair, operation, use or breakdown of the product(s) or any other cause whatsoever, including negligence.

The foregoing warranty shall also apply to products or parts which have been repaired or replaced pursuant to such warranty, and within the period of time, in accordance with Seller's stated warranty.

NO PERSON INCLUDING ANY AGENT OR REPRESENTATIVE OF EXLAR IS AUTHORIZED TO MAKE ANY REPRESENTATION OR WARRANTY ON BEHALF OF EXLAR CONCERNING ANY PRODUCTS MANUFACTURED BY EXLAR, EXCEPT TO REFER PURCHASERS TO THIS WARRANTY.

TABLE OF CONTENTS

Warranty and Limitation of Liability2

Table of Contents3

Safety Considerations4

Actuator Description & Markings33

Installation40

- Mechanical Installation.....40
 - Lubrication.....40
 - Mounting Configurations41
- General Operation45
- Electrical Installation46
 - Introduction.....46
 - Grounding.....47
 - Actuator Connections52
 - Actuator (Motor) Power.....58

Maintenance Procedures for Re-Greasing.....77

- Maintenance Procedure for Roller Screw Re-Greasing77
 - Disassembly79
 - Lubrication Maintenance.....80
 - Grease Renewal80
 - Reassembly.....81

5.0 TROUBLESHOOTING PROCEDURES86

Certifications87

SAFETY CONSIDERATIONS

As with any electro-mechanical device, safety must be considered during the installation and operation of the actuator and controller. Throughout this manual you will see paragraphs marked with CAUTION and WARNING signs as shown below.

WARNING



English

"Warning" indicates the information following is essential to avoiding a safety hazard.

Bulgarian

"Предупреждение" показва, че информацията, която следва, е много важна за избягване на рискове, свързани с безопасността.

Croatian

"Upozorenje" označava da su navedene informacije bitne za izbjegavanje opasnosti.

Czech

„Varování“ označuje informace, které jsou zásadní pro zabránění bezpečnostním rizikům.

Danish

"Advarsel" angiver, at den efterfølgende information er afgørende, hvis sikkerhedsfarer skal undgås.

Dutch

"Waarschuwing" geeft aan dat de volgende informatie van essentieel belang is om een gevaarlijke situatie te vermijden.

Estonian

"Hoiatus" viitab teabele, milles esitatud nõuete järgimine on ohtude vältimiseks oluline.

French

« Avertissement » indique que les informations suivantes sont essentielles pour éviter un risque d'accident.

German

"Warnung" zeigt an, dass die folgende Information wichtig ist, um eine Sicherheitsgefahr zu vermeiden.

Greek

Η λέξη "Προειδοποίηση" επισημαίνει ότι οι πληροφορίες που ακολουθούν είναι απαραίτητες για την αποφυγή ενός κινδύνου ασφάλειας.

Hungarian

A "Figyelmeztetés" jelölés azt jelenti, hogy a biztonsági kockázat elkerülése érdekében követni kell a jelölés melletti útmutatást.

Italian

"Avviso" indica che le informazioni che seguono sono essenziali per evitare rischi alla sicurezza.

Latvian

"Brīdinājums" norāda, ka sekojošā informācija ir būtiska, lai izvairītos no briesmām.

Lithuanian

„Įspėjimas“ nurodo informaciją, kurios būtina laikytis, norint išvengti pavojaus saugai.

Polish

„Ostrzeżenie“ wskazuje, że kolejne informacje są zasadnicze w zakresie unikania zagrożenia bezpieczeństwa.

Portuguese

“Aviso” indica que a informação que se segue é essencial para evitar um perigo de segurança.

Romanian

“Avertisment” indică faptul că informația care urmează este esențială pentru a evita un pericol privind securitatea.

Slovak

„Varovanie“ znamená, že dodržiavanie uvedených informácií je nevyhnutné na zabránenie vzniku bezpečnostného rizika.

Slovenian

“Opozorilo” označuje informacije, ki jih je treba obvezno upoštevati, da preprečite varnostno nevarnost.

Spanish

“Advertencia” indica que la siguiente información resulta esencial para evitar un peligro para la seguridad.

Swedish

“Varning” anger att den följande informationen är viktig för att undvika en säkerhetsrisk.

CAUTION**English**

“Caution” indicates the information following is necessary for avoiding a risk of damage to the product or other equipment.

Bulgarian

“Внимание” показва, че информацията, която следва, е необходима за избягване на риск от повреда на продукта или на друга апаратура.

Croatian

“Oprez” označava da su navedene informacije potrebne za izbjegavanje opasnosti od oštećenja proizvoda ili druge opreme.

Czech

„Upozornění“ označuje informace, které jsou důležité pro zabránění riziku poškození výrobku a dalších zařízení.

Danish

“Forsigtig” angiver, at den efterfølgende information er nødvendig, hvis risikoen for skader på produktet eller andet udstyr skal undgås.

Dutch

“Let op” geeft aan dat de volgende informatie van belang is om het risico van beschadiging van het product of andere apparatuur te vermijden.

Estonian

"Ettevaatus" viitab teabele, milles esitatud nõuete järgimine on seadme või muu varustuse vigastumisohu vältimiseks vajalik.

French

« Précaution » indique que les informations suivantes sont nécessaires pour éviter un risque d'endommagement du produit ou d'autre matériel.

German

"Vorsicht" gibt an, dass die folgende Information notwendig ist, um die Gefahr einer Beschädigung von Produkt oder anderen Geräten zu vermeiden.

Greek

Η λέξη "Προσοχή" επισημαίνει ότι οι πληροφορίες που ακολουθούν είναι απαραίτητες για την αποφυγή ενός κινδύνου ζημιάς στο προϊόν ή σε άλλον εξοπλισμό.

Hungarian

A "Vigyázat" jelölés azt jelenti, hogy a termék és más készülékek károsodásának elkerülése érdekében követni kell a jelölés melletti útmutatást.

Italian

"Attenzione" indica che le informazioni che seguono sono necessarie per evitare il rischio di danneggiamento del prodotto o altra attrezzatura.

Latvian

"Uzmanību" norāda uz sekojošu informāciju, kas ir nepieciešama, lai izvairītos no bojājuma riska izstrādājumam vai citai iekārtai.

Lithuanian

„Atsargiai“ nurodo informaciją, kurios reikia laikytis, norint išvengti gaminio ar kitos įrangos apgadinimo rizikos.

Polish

„Przeostroga“ wskazuje, że kolejne informacje są niezbędne w zakresie unikania ryzyka uszkodzenia produktu lub innego sprzętu.

Portuguese

"Atenção" indica que a informação que se segue é necessária para evitar um risco de danos para o produto ou outros equipamentos.

Romanian

"Precauție" indică faptul că informația care urmează este necesară pentru a evita riscul deteriorării produsului sau altui echipament.

Slovak

„Upozornenie“ znamená, že dodržiavanie uvedených informácií je nevyhnutné na vyhnutie sa riziku poškodenia produktu alebo iných zariadení.

Slovenian

"Pozor" označuje informacije, ki jih je treba upoštevati, da preprečite tveganje poškodb drugih izdelkov ali opreme.

Spanish

"Precaución" indica que la siguiente información es necesaria para evitar un riesgo de daños al producto u otros equipos.

Swedish

"Försiktighet" anger att den följande informationen är viktig för att undvika risk för skada på produkten eller annan utrustning.

WARNING



English General

Failure to follow safe installation guidelines can cause death or serious injury. The voltages used in the product can cause severe electric shock and/or burns and could be lethal. Extreme care is necessary at all times when working with or adjacent to the product. The installation must comply with all relevant safety legislation in the country of use. The forces created by actuator could be lethal or cause severe injury if proper protection is not provided to keep personnel away from moving components.

Bulgarian

Общи

Неспазването на указанията за безопасна инсталация може да причини смърт или сериозно увреждане. Използваните в продукта напрежения могат да доведат до тежък токов удар и/или изгаряния и могат да причинят смърт. Важно е винаги, когато се работи с продукта или в близост до него, да се проявява изключително внимание. Инсталацията трябва да отговаря на всички приложими законови изисквания за безопасност в страната, в която се използва. Силите, създадени от активатора могат да причинят смърт или тежко увреждане, ако не се осигури подходяща защита, ограничаваша достъпа на персонала до движещи се компоненти.

Croatian

Opće informacije

Nepridržavanje smjernica za sigurnu instalaciju može prouzročiti smrt ili teške ozljede. Napon koji se koristi u proizvodu može prouzročiti teške udare električne struje i/ili opekotine te može imati smrtni ishod. Tijekom upotrebe proizvoda ili rada u njegovoj blizini potrebna je velika pažnja. Instalacija se mora provesti u skladu sa svim važećim zakonima i propisima države u kojoj će se proizvod upotrebljavati. Sile koje stvara aktuator mogu biti smrtno opasne ili prouzročiti teške ozljede ako se ne osigura pravilna zaštita kojom se sprječava približavanje osoblja pokretnim komponentama.

Czech

Všeobecné informace

Nedodržení pokynů pro bezpečnou instalaci může vést ke smrti či vážnému zranění. Napětí použitá v tomto výrobku mohou způsobit vážný úraz elektrickým proudem či popálení a mohou být smrtelná. Při práci s výrobkem nebo v jeho blízkosti vždy dbejte nejvyšší opatrnosti. Instalace musí být provedena v souladu se všemi příslušnými bezpečnostními předpisy dané země. Síly generované aktuátorem mohou být smrtelné nebo mohou způsobit vážné zranění, není-li zaměstnancům poskytnuta dostatečná ochrana bránící kontaktu s pohyblivými součástmi.

Danish

Generelt

Manglende overholdelse af retningslinjerne for sikker installation kan medføre dødsfald eller personskader. De spændingsværdier, der anvendes i dette produkt, kan medføre alvorligt elektrisk stød og/eller forbrændinger og kan være livsfarlige. Man skal til enhver tid være yderst påpasselig under arbejde med eller i nærheden af produktet. Installationen skal opfylde alle relevante sikkerhedsregler i det aktuelle land. De kræfter, som aktuatoren frembringer, kan være livsfarlige eller medføre alvorlig personskade, hvis der ikke træffes passende foranstaltninger for at holde personale væk fra bevægelige dele.

Dutch

Algemeen

Het niet opvolgen van de installatierichtlijnen kan overlijden of ernstig letsel tot gevolg hebben. De gebruikte spanningen kunnen een ernstige elektrische schok en/of brandwonden veroorzaken en kunnen dodelijk zijn. Te allen tijde dient de uiterste zorgvuldigheid in acht genomen te worden bij het werken met of nabij het product. De installatie moet voldoen aan alle relevante veiligheidswetgeving in het land van gebruik. Als er geen correcte veiligheidsbescherming aanwezig is om personeel uit de buurt van bewegende delen te houden, kunnen de krachten die door de actuator worden gegenereerd dodelijk of ernstig letsel veroorzaken.

Estonian

Üldandmed

Paigaldise ohutusnõuete eiramine võib põhjustada surma või raske kehavigastuse. Seadmel kasutatavad pinged võivad põhjustada raske kehavigastuse ja/või põletuse ja surma. Tootega ja selle ümbruses töötades tuleb olla ülimalt ettevaatlik. Paigaldis peab vastama kõikidele asjakohastele ohutust käsitlevate seadusaktide nõuetele. Kui töötajate kaitseks liikuvate seadmeosade eest ei ole kasutatud nõuetekohaseid kaitseseadiseid, siis võivad täituri poolt tekitatud jõud põhjustada surmavaid või raskeid kehavigastusi.

French

Général

Le non-respect des consignes d'installation peut entraîner la mort ou des blessures graves. Les tensions utilisées dans ce produit peuvent provoquer une électrocution et/ou des brûlures graves et peuvent être mortelles. Une attention extrême doit être portée en permanence lorsque vous travaillez sur ou à proximité du produit. L'installation doit être conforme à tous les règlements de sécurité en vigueur dans le pays d'utilisation. Les forces créées par l'actionneur peuvent être mortelles ou provoquer des blessures graves si une protection adaptée n'est pas fournie pour empêcher le personnel de s'approcher des éléments en mouvement.

German

Allgemein

Werden die Richtlinien zur sicheren Installation nicht befolgt, kann dies zum Tod oder schweren Verletzungen führen. Die Spannungen, die in diesem Produkt eingesetzt werden, können zu schwerem elektrischen Schock bzw. Verbrennungen führen und zum Tod führen. Es muss immer äußerst vorsichtig vorgegangen werden, wenn mit dem oder in der Nähe des Geräts gearbeitet wird. Die Installation muss allen relevanten Sicherheitsvorschriften des Landes entsprechen, in dem das Gerät eingesetzt wird. Die Kräfte, die vom Auslöser erzeugt werden, können tödlich wirken oder schwere Verletzungen verursachen, wenn keine entsprechenden Schutzvorrichtungen vorhanden sind, um Personal von beweglichen Teilen fern zu halten.

Greek

Γενικά

Αν δεν ακολουθήσετε τις οδηγίες για ασφαλή εγκατάσταση, μπορεί να προκληθεί θάνατος ή σοβαρός τραυματισμός. Οι τάσεις που χρησιμοποιούνται στο προϊόν μπορούν να προκαλέσουν σοβαρή ηλεκτροπληξία ή/ και εγκαύματα και μπορούν να αποβούν μοιραίες. Προσέχετε ιδιαίτερως ανά πάσα στιγμή όταν δουλεύετε με ή είστε κοντά στο προϊόν. Η εγκατάσταση πρέπει να συμμορφώνεται με όλη τη σχετική νομοθεσία ασφάλειας στη χώρα χρήσης. Οι ισχύεις που δημιουργούνται από τον μηχανισμό κίνησης μπορούν να αποβούν μοιραίες ή να προκαλέσουν σοβαρό τραυματισμό εάν δεν παρέχεται η σωστή προστασία που θα κρατάει το προσωπικό μακριά από τα κινητά μέρη.

Hungarian

Általános rész

A biztonságos telepítésre vonatkozó útmutatás be nem tartása súlyos sérüléshez vagy halálhoz vezethet. A termékben alkalmazott feszültségek súlyos, akár halálos, áramütést és/vagy égési sérüléseket okozhatnak. Különösen gondosan kell eljárni minden alkalommal, amikor a termékkel dolgoznak vagy annak a közvetlen közelébe kerülnek. A telepítésnek meg kell felelnie minden, a felhasználás helyén érvényes vonatkozó biztonsági előírásnak. Az aktuátor által létrehozott erők lehetnek halálosak is, és súlyos sérülést is okozhatnak, ha nem biztosítottak megfelelő védelmet, ami a mozgó alkatrészekről távol tartja a személyzetet.

Italian

Generale

La mancata osservanza delle istruzioni relative a una installazione sicura può causare morte o gravi lesioni. I voltaggi usati con questo prodotto possono causare violente scariche elettriche e/o ustioni e possono essere letali. È necessario usare sempre la massima cura quando si lavora con il prodotto o nelle sue immediate vicinanze. L'installazione deve essere conforme alla normativa sulla sicurezza in vigore nel paese in cui se ne fa uso. Le forze generate dall'attuatore possono essere letali o causare gravi lesioni se non viene predisposta un'adeguata protezione per tenere il personale lontano dai componenti in movimento.

Latvian

Vispārēji

Drošu uzstādīšanas norādījumu pārkāpšana var izraisīt nāvi vai smagus ievainojumus. Izstrādājumā sastopamie spriegumi var izraisīt elektrisko triecienu un/vai smagus apdegumus un var būt nāvējoši. Vienmēr īpaši jāuzmanās, strādājot ar izstrādājumu vai blakus tam. Uzstādīšana jāveic saskaņā ar katras valsts atbilstošajiem drošības noteikumiem. Piedziņas radītie spēki var būt nāvējoši vai izraisīt smagus ievainojumus, ja nav nodrošināta atbilstoša aizsardzība, kas aizsargā personālu no kustīgām detaļām.

Lithuanian

Bendroji informacija

Saugaus įrengimo gairių nesilaikymas gali būti mirties ar sunkių sužalojimų priežastimi. Gaminyje naudojama įtampa gali sukelti sunkų elektros smūgį ir (arba) nudegimus, kurie gali būti mirtini. Dirbant su gaminiu arba šalia jo visada būtina elgtis itin atsargiai. Įranga turi atitikti visus šalies, kurioje ji naudojama, susijusius saugos įstatymus. Jei nėra įrengta tinkama apsauga, dėl kurios personalas būtų atokiai nuo judančių dalių, pavaros sukuriama jėga gali būti mirtina arba sunkiai sužaloti.

Polish

Informacje ogólne

Nieprzestrzeżenie poniższych wytycznych dotyczących bezpiecznej instalacji może skutkować zgonem lub poważnym obrażeniem. Napięcia stosowane w produkcji mogą spowodować poważne porażenie prądem i/lub poparzenia oraz spowodować zgon. Cały czas należy wykazywać niezwykłą ostrożność pracując lub będąc w pobliżu produktu. Instalacja musi być zgodna ze wszystkimi obowiązującymi przepisami bezpieczeństwa w kraju użycia. Siły wytworzone przez silownik mogą być śmiertelne lub spowodować poważne obrażenia w przypadku niestosowania właściwej ochrony mającej utrzymywać personel z dala od ruchomych komponentów.

Portuguese

Geral

A não observância das orientações de instalação em segurança pode causar a morte ou lesões graves. As tensões utilizadas no produto podem causar choque eléctrico grave e / ou queimaduras e podem ser fatais. É necessário extremo cuidado em todos os momentos ao trabalhar com o produto ou nas imediações do mesmo. A instalação tem de respeitar a

legislação relativa à segurança aplicável no país de uso. As forças criadas pelo actuador podem ser fatais ou causar lesões graves se não for providenciada uma protecção adequada para afastar o pessoal dos componentes móveis.

Romanian

Generalităţi

Nerespectarea directivelor de instalare sigură poate cauza moartea sau vătămare gravă. Tensiunile utilizate în produs pot cauza electrocutare gravă și/sau arsuri și pot fi letale. Se solicită o atenție extremă în orice moment, atunci când se lucrează cu sau în vecinătatea produsului. Instalarea trebuie să fie conformă cu toată legislația relevantă privind securitatea din țara în care se utilizează produsul. Forțele create de actuator pot fi letale sau pot cauza vătămare gravă, dacă nu este asigurată protecție adecvată pentru a menține personalul departe de componentele mobile.

Slovak

Všeobecné informácie

Nedodžiavanie pokynov bezpečnej inštalácie môže spôsobiť smrť alebo vážne zranenie. Napätia používané v produkte môžu spôsobiť vážny úraz elektrickým prúdom alebo popáleniny s následkom smrti. Počas práce s týmto produktom alebo v jeho blízkosti sa vyžaduje mimoriadna opatrnosť. Inštalácia sa musí vykonávať v súlade so všetkými príslušnými bezpečnostnými predpismi, platnými v krajine použitia. Sily vytvárané spúšťačom môžu spôsobiť smrť alebo vážne zranenie v prípade, ak sa nepoužijú vhodné ochranné prostriedky na zachovanie bezpečnej vzdialenosti personálu od pohyblivých súčastí.

Slovenian

Splošno

Neupoštevanje smernic za varno namestitev lahko vodi do smrti ali resnih poškodb. Napetosti, uporabljene v tem izdelku, lahko povzročijo hudi električni udar in/ali opekline in so lahko smrtno nevarne. Pri delu z izdelkom ali v njegovi bližini morate biti vedno zelo previdni. Namestitev mora biti izvedena v skladu z veljavno varnostno zakonodajo v državi uporabe izdelka. Sile, ki jih proizvaja sprožilno, so lahko smrtno ali povzročijo resne poškodbe, če ni zagotovljena ustrežna zaščita za osebe pred premikajočimi se deli.

Spanish

General

La inobservancia de las directrices de instalación segura puede provocar fallecimientos o lesiones graves. Las tensiones presentes en el producto pueden causar una descarga eléctrica importante o quemaduras graves, que podrían resultar mortales. Es necesario proceder con extremo cuidado en todo momento. La instalación debe cumplir toda la normativa de seguridad pertinente del país en el que se ubique. Las fuerzas creadas por el accionador podrían resultar mortales o causar lesiones graves si no se dispone de la protección adecuada destinada a mantener al personal alejado de los componentes móviles.

Swedish

Allmänt

Underlåtenhet att efterfölja riktlinjer för säker installation kan orsaka död eller allvarlig skada. Den spänning som används i produkten kan orsaka allvarlig elektrisk chock och/eller brännskador och kan vara dödlig. Extrem försiktighet krävs alltid vid arbete med eller nära produkten. Installationen måste följa all relevant säkerhetslagstiftning i användarlandet. Krafterna som manöverdonet ger upphov till kan vara dödliga eller orsaka svåra skador om inte ordentliga skydd tillhandahålls för att hålla personal borta från rörliga delar.

WARNING



English System Design and Safety for Personnel

The actuator is intended to be used as a component for professional incorporation into complete equipment or a system. If installed incorrectly, the actuator may present a safety hazard. The actuator uses high voltages and currents, carry a high level of stored electrical energy, and are used to control equipment which can cause injury. Close attention is required to the electrical installation and the system design to avoid hazards either in normal operation or in the event of equipment malfunction. System design, installation, commissioning and maintenance must be carried out by personnel who have the necessary training and experience. They must read this safety information and this manual carefully. **None of the functions or features of the actuator may be used to ensure safety of personnel, i.e. they must not be used for safety-related functions.** For example, when present, the actuator run/reset, enable/disable, brake, stop/start, and forward/reverse functions are not sufficient for use in safety-critical applications without additional independent channels of protection. Careful consideration must be given to the functions of the actuator which might result in a hazard, either through their intended behavior or through incorrect operation due to a fault. In any application where a malfunction of the actuator or the control system could lead to or allow damage, loss or injury, a risk analysis must be carried out, and where necessary, further measures taken to reduce the risk. For example, a failsafe brake in case of loss of actuator or controller power when movement must be stopped to prevent an unsafe condition from developing.

Bulgarian

Дизайн на системата и безопасност за персонала

Активаторът и контролерът са предназначени за използване като компоненти за професионално включване в цялостно оборудване или система. Ако не се инсталират правилно, активаторът и контролерът могат да представляват риск за безопасността. Те използват високи напрежения и токове, носят високо ниво на запазена електрическа енергия и се използват за контролиране на апаратура, която може да причини увреждания. За избягване на опасности както при нормална работа, така и в случай на повреда на апаратурата е необходимо да се следи внимателно електрическата инсталация и дизайна на системата. Дизайнът на системата, инсталацията, работата с оборудването и поддържането му трябва да се извършват от персонал с необходимото обучение и опит. Тези технически лица трябва внимателно да прочетат информацията за безопасност и това ръководство. **Никоя от функциите и характеристиките на активатора или контролера не може да се използва за гарантиране на безопасността на персонала, т.е. те не трябва да се използват за функции, свързани с безопасността.** Например, когато са налице, функциите на активатора и контролера run/reset (изпълнение/рестартиране), enable/disable (активиране/деактивиране), brake (спирачка), stop/start (стоп/старт), и forward/reverse (напред/назад) не са достатъчни за употреба в приложения, при които безопасността е от критично значение, без допълнителни независими канали за защита. Трябва да се отдели специално внимание на функциите на активатора и контролера, които биха могли да причинят опасност, независимо дали чрез нормалния си начин на работа или при неправилно функциониране вследствие на повреда. При всяко приложение, в което неправилно функциониране на активатора, контролера или контролната им система би могло да доведе до повреда, загуба или нараняване, или да даде възможност за възникването им, трябва да се извърши анализ на риска и, ако е необходимо, да се вземат допълнителни мерки за намаляване на риска. Например спирачка, която да не се влияе от възникването на аварии, в случай на загуба на мощност на активатора или контролера, когато движението трябва да се спре, за да се предотврати развитие на опасно състояние.

Croatian

Dizajn sustava i sigurnost osoblja

Aktuator i upravljač upotrebljavaju se kao komponente za profesionalnu ugradnju u potpunu opremu ili sustav. U slučaju nepravilne instalacije aktuator i upravljač mogu predstavljati sigurnosnu opasnost. Aktuator i upravljač koriste visoke napone i jaku struju, u njima su pohranjene velike količine električne energije i namijenjeni su upravljanju opremom koja može prouzročiti ozljede. Električnom priključku i dizajnu sustava mora se posvetiti velika pažnja kako bi se izbjegle opasnosti pri uobičajenom radu te u slučaju kvara sustava. Dizajn sustava, instalacija, puštanje u rad i održavanje mora provesti odgovarajuće osposobljeno osoblje s dovoljnim iskustvom. Izvođači moraju pažljivo proučiti navedene sigurnosne informacije i ovaj priručnik. **Nijedna funkcija aktuatora ili upravljača ne smije se upotrebljavati kao sigurnosna funkcija za zaštitu osoblja.** Primjerice, kada su prisutne, funkcije aktuatora i upravljača za pokretanje/vraćanje na početne postavke, omogućavanje/onemogućavanje, kočenje, zaustavljanje/pokretanje i kretanje prema naprijed/natrag nisu dovoljne za primjenu u opasnim aplikacijama bez dodatnih neovisnih načina zaštite. Potrebno je posvetiti veliku pažnju funkcijama aktuatora i upravljača koje mogu izazvati opasnost svojom namjenskom primjenom ili nepravilnim rukovanjem zbog pogreške. U svim primjenama pri kojima pogreška aktuatora, upravljača ili njihovih regulacijskih sustava može dovesti do oštećenja, gubitaka ili ozljeda ili ih prouzročiti, mora se provesti analiza rizika te se po potrebi moraju poduzeti dodatne mjere kojima se smanjuje taj rizik. Jedan od primjera jest sigurnosna kočnica u slučaju prekida napajanja aktuatora ili upravljača koja mora osigurati zaustavljanje kretanja kako bi se spriječio nastanak opasne situacije.

Czech

Konstrukce systému a bezpečnost zaměstnanců

Aktuátor i ovladač se používají jako součástky určené k odbornému zamontování do kompletního zařízení či systému. Nesprávná instalace aktuátoru nebo ovladače může představovat bezpečnostní riziko. Aktuátor i ovladač využívají vysoká napětí a proudy, uchovávají velká množství elektrické energie a používají se k ovládní zařízení, která mohou způsobit zranění. Konstrukce systému a jeho elektrická instalace vyžaduje zvláštní pozornost, aby se zabránilo vzniku nebezpečí jak při běžném provozu, tak v případě poruchy zařízení. Navržení konstrukce systému, jeho instalace, ovládní a údržba musí být prováděny zaměstnanci, kteří mají potřebné školení a zkušenosti. Musí si pozorně přečíst bezpečnostní informace a tento návod k použití. **Žádná z funkcí nebo vlastností aktuátoru či ovladače se nesmí používat pro zajištění bezpečnosti zaměstnanců. Nesmí se tedy používat k žádným funkcím souvisejícím s bezpečností.** Funkce aktuátoru a ovladače, jsou-li přítomné, jako například spuštění/vynulování, aktivace/deaktivace, stop/start a dopředu/zpět, nevyhovují dostatečně požadavkům bezpečnostně kritických aplikací, nejsou-li přidány další nezávislé způsoby ochrany. Je třeba pečlivě promyslet a zvážit funkce aktuátoru a ovladače, které by mohly způsobit nebezpečí jak při zamýšleném chování, tak při vadném provozu způsobeném poruchou. Při každé aplikaci, při které by porucha aktuátoru, ovladače nebo jejich kontrolního systému mohla způsobit nebo umožnit vznik poškození, ztrát či zranění, se musí provést analýza nebezpečí. Je-li třeba, musí se zavést patřičná opatření ke snížení nebezpečí. Příkladem je brzda zabezpečená proti poruchám, která v případě, že dojde k přerušení napájení aktuátoru či ovladače, musí zastavit pohyblivé části, aby se zabránilo vzniku nebezpečné situace.

Danish

Systemdesign og personalesikkerhed

Aktuatoren og kontrolleren er beregnet til brug som komponenter til professionel inddækning i komplet udstyr eller et system. Hvis de installeres forkert, kan aktuatoren eller kontrolleren udgøre en sikkerhedsfare. Aktuatoren og kontrolleren benytter høje spændingsværdier og strømstyrker, indeholder store mængder oplagret elektrisk energi og anvendes til styring af udstyr, der kan forårsage skade. Man skal være yderst opmærksom på den elektriske installation og systemdesignet for at undgå farer enten ved normal drift

eller i tilfælde af funktionsfejl ved udstyret. Systemdesign, installation, indkøring og vedligeholdelse skal udføres af personale med den nødvendige uddannelse og erfaring. De skal først læse sikkerhedsoplysningerne i denne vejledning grundigt igennem. **Ingen af aktuatorens eller kontrollerens funktioner eller ekstrafunktioner må anvendes til at garantere personalets sikkerhed, dvs. de må ikke anvendes til sikkerhedsrelaterede funktioner.** For eksempel er aktuatorens og kontrollerens eventuelle kør/nulstil, aktivér/deaktivér, brems, stop/start og frem/tilbage-funktioner ikke tilstrækkelige til anvendelse i sikkerhedsmæssigt kritiske situationer uden supplerende, selvstændige beskyttelsesforanstaltninger. Der skal tages særligt hensyn til de af aktuatorens og kontrollerens funktioner, der eventuelt kan medføre en fare, enten gennem deres tilsigtede udførelse eller på grund af forkert drift som følge af funktionssvigt. Ved enhver anvendelse, hvor en funktionsfejl ved aktuatoren, kontrolleren eller deres styringssystem kan føre til eller muliggøre beskadigelse, tab eller personskade, skal der udføres en risikoanalyse og om nødvendigt tages yderligere forholdsregler for at nedsætte risikoen. For eksempel en fejlsikker brems i tilfælde af strømsvigt i aktuatoren eller kontrolleren, når bevægelse skal standses for at forhindre en farlig situation i at opstå.

Dutch

Systeemontwerp en beveiliging voor personeel

De actuator en regelaar zijn bedoeld om gebruikt te worden als componenten voor professionele opname in apparatuur of volledige systemen. Als zij niet goed geïnstalleerd worden, kunnen de actuator of regelaar een gevaar voor de veiligheid vormen. De actuator en regelaar maken gebruik van een hoge spanning en stroom, slaan veel elektrische energie op en worden gebruikt voor het aansturen van apparatuur die letsel kan veroorzaken. De elektrische installatie en het systeemontwerp vereisen nauwgezette aandacht om gevaarlijke situaties bij de normale werking of bij een storing van de apparatuur te voorkomen. Het systeemontwerp, de installatie, inbedrijfneming en het onderhoud mogen alleen uitgevoerd worden door ervaren personeel dat daartoe opgeleid is. Zij moeten deze veiligheidsinformatie en handleiding zorgvuldig doorlezen. **Geen van de functies of kenmerken van de actuator of regelaar mogen gebruikt worden voor het garanderen van de veiligheid van het personeel, d.w.z. zij mogen niet ingezet worden voor functies die verband houden met de veiligheid.** Bijvoorbeeld zijn de actuator- en regelaarfuncties run/reset, inschakelen/uitschakelen, rem, stop/start en voorwaarts/achterwaarts, voor zover zij aanwezig zijn, niet voldoende voor gebruik in voor de veiligheid kritische situaties als er geen additionele onafhankelijke bedieningsmiddelen ter bescherming aanwezig zijn. De functies van de actuator en regelaar die een gevaarlijke situatie zouden kunnen veroorzaken, ofwel door het beoogde gedrag ofwel door onjuist gebruik of een storing, moeten zorgvuldig bestudeerd worden. Voor alle toepassingen waarbij een storing van de actuator of regelaar of van de besturingssystemen daarvan tot beschadigingen, verlies of letsel zou kunnen leiden, moet altijd een risicoanalyse uitgevoerd worden en indien nodig moeten verdere maatregelen genomen worden. Zoals bijvoorbeeld een storingsbeveiligde rem voor als de beweging gestopt moet worden in het geval van stroomuitval bij de actuator of regelaar zodat er geen onveilige situatie kan ontstaan.

Estonian

Süsteemi konstruktsioon ja töötajate ohutus

Täitur ja juhtseade on ette nähtud kasutamiseks kui tervikseadmesse või süsteemi ühendatavad üksikseadmed ja neid tohivad ühendada erialaspetsialistid. Nõuetevastase paigaldamise korral võib täitur või juhtseade olla ohtlik. Täituris ja juhtseadmes kasutatakse kõrgepinget ja neid läbivad tugevad voolud, mis on suure hulga salvestunud elektrienergia kandjateks; neid kasutatakse kehavigastusi põhjustada võivate seadmete juhtimiseks. Erilist tähelepanu tuleb pöörata elektripaigaldise ja süsteemi konstruktsioonile, et vältida ohtusid nii tavatööl kui seadmestiku tõrke korral. Süsteemi kujundamist, paigaldamist, käikulaskmist ja hooldamist tohivad teha vaid nõutava väljaõppe ning kogemustega töötajad. Nad peavad põhjalikult läbi lugema käesoleva ohutust käsitleva teabe ja kasutusjuhendi. Ühtegi täituri või juhtseadme funktsiooni või seadist ei tohi kasutada

töötajate ohutuse tagamiseks, st. neid ei tohi kasutada ohutuse tagamisega seotud toiminguteks. **Näiteks siis, kui kui täituri või juhtseadme töötamise/lähtestamise, aktiveerimise/deaktiveerimise, pidurdamise, seiskamise/peatamise või edasi/tagasi liikumise funktsioonid ei ole piisavad, et neid kasutada ohtlikes rakendustes ilma täiendavate iseseisvate kanalite või kaitsekateteta.** Hooolikalt tuleb kaalutleda täituri ja juhtseadme talitlusi, mis võivad põhjustada riske nii ettenähtud töötoimingute kui rikke tõttu tekkivate talitlushäirete korral. Igal rakendusele, milles võib täituri, juhtseadme või nende juhtimissüsteemi talitlushäire tulemusena tekkida seadmete vigastus või tekib selle oht, ainekahju või kehavigastus, tuleb teha riskianalüüs ning vajaduse korral võtta meetmeid riskide vähendamiseks. Näiteks tuleb kasutada täituri või juhtseadme toitepinge kadumise puhuks tõrkekindlat pidurit, kui liikumine tuleb peatada, et vältida ohtliku olukorra kujunemist.

French

Conception du système et sécurité du personnel

L'actionneur et le contrôleur sont destinés à être utilisés en tant que composants pour une incorporation professionnelle dans un matériel ou un système complet. En cas d'installation incorrecte, l'actionneur ou le contrôleur peut représenter un risque d'accident. L'actionneur et le contrôleur utilisent des tensions et des courants élevés, transportent un niveau important d'énergie électrique stockée, et sont utilisés pour contrôler le matériel qui peut provoquer des blessures. Une attention particulière doit être portée à l'installation électrique et à la conception du système pour éviter les accidents durant le fonctionnement normal ou en cas de dysfonctionnement du matériel. La conception du système, l'installation, la mise en service et l'entretien doivent être effectués par du personnel possédant la formation et l'expérience nécessaires. Le personnel en question doit soigneusement lire les informations de sécurité et ce manuel. **Aucune des fonctions ou caractéristiques de l'actionneur ou du contrôleur ne peut être utilisée pour garantir la sécurité du personnel, c'est-à-dire qu'elles ne doivent pas être utilisées pour des fonctions relatives à la sécurité.** Par exemple, lorsqu'elles sont présentes, les fonctions exécuter/réinitialiser, activer/désactiver, freiner, arrêt/marche et avant/arrière de l'actionneur et du contrôleur ne sont pas suffisantes pour être utilisées dans les applications essentielles pour la sécurité sans structures de protection indépendante supplémentaires. Une attention particulière doit être portée aux fonctions de l'actionneur et du contrôleur pouvant représenter un risque, soit lors d'une utilisation normale ou en raison d'un fonctionnement incorrect causé par une défaillance. Pour toute application pendant laquelle un dysfonctionnement de l'actionneur, du contrôleur ou de leur système de contrôle pourrait provoquer un dommage, une perte ou une blessure, une analyse des risques doit être réalisée et, si cela est nécessaire, des mesures supplémentaires doivent être prises pour réduire le risque. Par exemple, un frein à sécurité intégrée en cas de coupure d'alimentation de l'actionneur ou du contrôleur lorsque le mouvement doit être stoppé pour empêcher le développement d'une condition à risque.

German

Systemaufbau und Sicherheit für Personal

Der Auslöser und Regler sind als Bestandteile für den professionellen Einbau in vollständige Geräte oder ein System vorgesehen. Bei falscher Installation können Auslöser und Regler ein Sicherheitsrisiko darstellen. Auslöser und Regler setzen hohe Spannungen und Stromstärken gespeicherter elektrischer Energie ein und werden verwendet, um ein Gerät zu steuern, das Verletzungen verursachen kann. Die elektrische Installation und der Systemaufbau müssen sorgfältig durchgeführt werden, um Gefahren bei normalem Betrieb bzw. bei Gerätefehlfunktionen zu vermeiden. Systemaufbau, Installation, Inbetriebnahme und Wartung müssen von Mitarbeitern mit der notwendigen Schulung und Erfahrung durchgeführt werden. Diese Mitarbeiter müssen diese Sicherheitsinformationen und das Handbuch sorgfältig durch lesen. **Keine der Funktionen und Eigenschaften des Auslösers oder Reglers dürfen eingesetzt werden, um die Sicherheit des Personals zu gewährleisten, d. h. sie dürfen nicht als sicherheitsbezogene Funktionen verwendet werden.** Sofern vorhanden reichen die Funktionen Run/Reset

(Start/Zurücksetzen), Enable/Disable (Aktivieren/Deaktivieren), Brake (Bremsen), Stop/Start (Stopp/Start) und Forward/Reverse (Vorwärts/Rückwärts) von Auslöser und Regler bei sicherheitskritischen Anwendungen nicht ohne zusätzliche unabhängige Schutzkanäle aus. Die Funktionen von Auslöser und Regler, die zu einer Gefahr werden könnten, sei es durch gezieltes Handeln oder durch falschen Betrieb aufgrund eines Fehlers, müssen genau beachtet werden. Bei einer Anwendung, bei der eine Fehlfunktion von Auslöser, Regler oder deren Steuersystem zu Schaden, Verlust oder Verletzung führen kann, muss eine Risikoanalyse durchgeführt und bei Bedarf weitere Maßnahmen ergriffen werden, um das Risiko zu senken. Zum Beispiel eine ausfallsichere Bremse bei Verlust von Auslöser- oder Reglerstrom, wenn die Bewegung gestoppt werden muss, um die Entwicklung eines unsicheren Zustands zu verhindern.

Greek

Σχεδιασμός συστήματος και ασφάλειας για το προσωπικό

Ο μηχανισμός κίνησης και ο ελεγκτής προορίζονται για χρήση ως στοιχεία για επαγγελματική ενσωμάτωση σε έναν πλήρη εξοπλισμό ή ένα σύστημα. Εάν δεν εγκατασταθούν σωστά, ο μηχανισμός κίνησης ή ο ελεγκτής μπορεί να αποτελέσουν κίνδυνο ασφάλειας. Ο μηχανισμός κίνησης και ο ελεγκτής χρησιμοποιούν υψηλές τάσεις και ρεύματα, φέρουν υψηλό επίπεδο αποθηκευμένης ηλεκτρικής ενέργειας και χρησιμοποιούνται για τον έλεγχο εξοπλισμού που μπορεί να προκαλέσει τραυματισμό. Προσέχετε πολύ κατά την ηλεκτρική εγκατάσταση και το σχεδιασμό του συστήματος για να αποφύγετε κινδύνους είτε κατά την κανονική λειτουργία, είτε σε περίπτωση βλάβης του εξοπλισμού. Ο σχεδιασμός του συστήματος, η εγκατάσταση, η θέση σε λειτουργία και η συντήρηση πρέπει να διεξάγονται από προσωπικό που έχει την κατάλληλη εκπαίδευση και εμπειρία. Το προσωπικό θα πρέπει πρώτα να διαβάσει προσεκτικά αυτές τις πληροφορίες ασφάλειας και αυτό το εγχειρίδιο. **Καμία από τις λειτουργίες ή τα χαρακτηριστικά του μηχανισμού κίνησης ή του ελεγκτή δεν μπορεί να χρησιμοποιηθεί για τη διασφάλιση της ασφάλειας του προσωπικού, δηλαδή δεν πρέπει να χρησιμοποιούνται για λειτουργίες σχετικές με την ασφάλεια.** Για παράδειγμα, όταν υπάρχουν, τα χαρακτηριστικά λειτουργία/ επαναφορά, ενεργοποίηση/ απενεργοποίηση, φρενάρισμα, σταμάτημα/ έναρξη και εμπρός/ όπισθεν του μηχανισμού κίνησης και του ελεγκτή δεν επαρκούν για χρήση σε εφαρμογές κρίσιμες για την ασφάλεια χωρίς επιπλέον ανεξάρτητα κανάλια προστασίας. Να είστε ιδιαίτερος προσεκτικοί με τις λειτουργίες του μηχανισμού κίνησης και του ελεγκτή που μπορεί να οδηγήσουν σε κίνδυνο, είτε μέσω της λειτουργίας για την οποία προβλέπονται, είτε μέσω εσφαλμένης λειτουργίας λόγω βλάβης. Σε οποιαδήποτε εφαρμογή όπου μία βλάβη του μηχανισμού κίνησης, του ελεγκτή ή του συστήματος ελέγχου τους μπορεί να οδηγήσει σε ή να επιτρέψει ζημιά, απώλεια ή τραυματισμό, θα πρέπει να διεξαχθεί ανάλυση κινδύνων και, όπου κρίνεται απαραίτητο, να λαμβάνονται περαιτέρω μέτρα για τη μείωση του κινδύνου. Για παράδειγμα, ένα ασφαλές φρένο σε περίπτωση απώλειας ισχύος στο μηχανισμό κίνησης ή τον ελεγκτή όταν η κίνηση πρέπει να διακοπεί για να αποτραπεί η ανάπτυξη μίας ανασφαλούς κατάστασης.

Hungarian

A rendszer kialakítása és a személyzet védelme

Az aktuátor és a vezérlő egy teljes készülékbe vagy rendszerbe szakszerűen integrált alkatrészekként lettek kialakítva. Ha nem telepítik megfelelően, akkor az aktuátor és a vezérlő biztonsági veszélyt hordoz magában. Az aktuátor és a vezérlő nagy feszültséggel és nagy áramerősséggel működik, jelentős mértékű tárolt elektromos energiát hordoz, és olyan készülékek vezérlésére szolgál, melyek sérülést okozhatnak. Fokozott figyelmet kell fordítani az elektromos telepítésre és a rendszer kialakítására, hogy el lehessen kerülni a rendes működés és a működési hibák esetén felmerülő kockázatokat. A rendszer megtervezését, telepítését, beüzemelését és karbantartását a szükséges képzettséggel és tapasztalattal rendelkező személyzetnek kell végeznie. Ennek a személyzetnek is figyelmesen el kell olvasnia ezt a biztonsági tájékoztatót és ezt a kézikönyvet. **Az aktuátor illetve a vezérlő semelyik funkciója és tulajdonsága nem használható a személyzet biztonságának biztosítására, azaz nem használhatók biztonsággal kapcsolatos funkciókra.** Például ha telepítve lettek, akkor az aktuátor és a vezérlő

futtatás/visszaállítás, engedélyezés/letiltás, fékezés, stop/start és előre/vissza funkciói nem használhatók biztonságilag kritikus alkalmazásokban, további független védelmi csatornák nélkül. Óvatosan meg kell fontolni az aktuátor és a vezérlő azon funkcióinak használatát, melyek kockázatot jelenthetnek, akár szándékolt, akár egy hiba miatti helytelen működésükből fakadóan. Bármilyen olyan alkalmazás során, amikor az aktuátor, a vezérlő vagy a vezérlő rendszerük működési hibája kárhoz, veszteséghez vagy sérüléshez vezethet, kockázatelemzést kell végezni, és ahol szükséges, a kockázat csökkentése érdekében további intézkedéseket kell tenni. Például szükség lehet egy biztonságí fékre, arra az esetre, ha az aktuátornak vagy a vezérlőnek megszűnik az áramellátása, és a mozgást le kell állítani, mielőtt veszélyes állapot fejlődne ki.

Italian

Struttura del sistema e sicurezza del personale

L'attuatore e il controller sono progettati per essere usati come componenti da incorporare in un'apparecchiatura completa o in un sistema. Se installato in modo scorretto, l'attuatore o il controller possono presentare rischi per la sicurezza. L'attuatore e il controller impiegano elevati voltaggi e correnti, usano alti livelli di energia accumulata e servono a controllare un'apparecchiatura che potrebbe causare lesioni. È necessaria la massima attenzione durante l'installazione elettrica e la configurazione del sistema, sia durante il normale funzionamento sia in caso di errato funzionamento dell'attrezzatura. La progettazione, installazione, collaudo e manutenzione del sistema devono essere effettuati solo da personale in possesso della necessaria formazione ed esperienza. Il personale deve inoltre leggere attentamente queste informazioni di sicurezza e questo manuale.

Nessuna delle funzioni o caratteristiche dell'attuatore o del controller devono essere usate per assicurare la sicurezza del personale, cioè non devono essere usate per funzioni relative alla sicurezza. Per esempio le funzioni dell'attuatore e del controller run/reset, abilita/disabilita, frena, arresta/avvia e avanti/indietro se presenti, non sono sufficienti per l'utilizzo in applicazioni critiche di sicurezza in assenza di ulteriori canali di protezione indipendenti. È necessario considerare attentamente le funzioni dell'attuatore e del controller che potrebbero risultare in un pericolo, sia durante l'uso previsto sia durante un funzionamento errato dovuto a un'avarìa. In qualsiasi applicazione in cui il malfunzionamento dell'attuatore, del controller o del loro sistema di controllo può risultare o causare un danno, una perdita o una lesione, è necessario condurre un'analisi dei rischi e, se è il caso, prendere ulteriori misure per ridurre i rischi. Per esempio, l'utilizzo di un freno che interviene in mancanza di alimentazione dell'attuatore o del controller arrestando il movimento per evitare che si verifichi una situazione non sicura.

Latvian

Sistēmas konstrukcija un personāla drošība

Piedziņa un vadības iekārta ir paredzēti lietošanai kā profesionālas komplektiekārtas vai sistēmas sastāvdaļas. Ja piedziņa vai vadības iekārta ir nepareizi uzstādīta, tā var radīt bīstamību. Piedziņa un vadības iekārta darbojas ar augstu spriegumu un lielu strāvu un saglabā lielu uzkrātās elektroenerģijas daudzumu, un tiek lietotas tādas iekārtas vadīšanai, kas var izraisīt ievainojumu. Liela uzmanība jāpievērš elektroietasei un tīkla shēmai, lai nepieļautu bīstamību ne normālā darbā, ne iekārtas nepareizas darbības apstākļos. Tīkla shēma, uzstādīšana, iedarbināšana un apkope jāveic apmācītam un pieredzējušam personālam. Viņiem ir uzmanīgi jāizlasa šie drošības norādījumi un šī instrukcija. **Neviens no piedziņas vai vadības iekārtas funkcijām nevar tikt izmantota, lai nodrošinātu personāla drošību, t. i., tie nedrīkst tikt lietoti drošības funkcijām.** Piemēram, piedziņas mehānisma un vadības iekārtas palaist/atgriez, iespējot/atspējot, bremsēt, apstādināt/apturēt un uz priekšu/atpakaļ funkcijas nav pietiekamas, lai tās lietotu svarīgās drošības situācijās bez neatkarīgiem aizsardzības avotiem. Liela uzmanība jāpievērš piedziņas un vadības iekārtas funkcijām, kas var radīt bīstamību gan ar paredzēto darbību, gan ar nepareizu darbību bojājuma dēļ. Jebkurā pielietojumā, kur piedziņas, vadības iekārtas vai to kontroles sistēmas nepareiza darbība var novest pie bojājuma, zaudējumiem

vai traumas vai arī pieļaut tos, ir jāveic risku analīze, un, ja nepieciešams, jāveic citi pasākumi, lai samazinātu risku. Piemēram, atteikumdroša bremze piedziņas vai vadības ierīces jaudas zuduma gadījumā, kad jāaptur kustība, lai nepieļautu nedrošas situācijas rašanos.

Lithuanian

Sistemos konstrukcija ir personāla drošība

Pavara ir valdiklis skirti naudoti kaip profesionalaus įjungimo į visą įrangą ar sistēmą komponentai. Netinkamai įmontuoti pavara ir valdiklis gali kelti pavojų saugai. Pavara ir valdiklis naudoja aukštos įtampos srovę, perneša didelį saugomos energijos lygį ir naudojami valdyti įrangą, kuri gali sužaloti. Būtina skirti daug dėmesio elektros instaliacijai ir sistemos konstrukcijai, kad būtų išvengta pavojaus tiek įrangai veikiant įprastai, tiek sugedus. Sistemos konstrukcijos, įrengimo, eksploatavimo pradžios ir techninės priežiūros darbus turi atlikti atitinkamai apmokytas ir reikiamą patirtį turintis personalas. Šie darbuotojai turi atidžiai perskaityti šią saugos informaciją ir šį vadovą. **Jokios pavaros ar valdiklio funkcijos ar savybės negalima naudoti personālo saugai užtikrinti, t.y., jų negalima naudoti su sauga susijusioms funkcijoms.** Pavyzdžiui, jei yra, pavaros ir valdiklio paleidimo / atstatymo, įjungimo / išjungimo, stabdžių, sustabdymo / paleidimo ir eigos į priekį / atbulinės eigos funkcijų nepakanka naudoti be papildomų nepriklausomų apsaugos kanalų, kai įrangą naudojama esminiais su saugos užtikrinimu susijusiais atvejais. Reikia atidžiai apsvairstyti pavaros ir valdiklio funkcijų, kurios gali kelti pavojų, tiek dėl tikslinio, tiek dėl neteisingo veikimo esant gedimui, naudojimą. Jei naudojant dėl pavaros, valdiklių ar jų valdymo sistemos gedimo gali būti apgadinta įrangą, kilti nuostolių arba gali būti sužaloti žmonės, būtina atlikti rizikos analizę ir, jei reikia, imtis tolesnių rizikos sumažinimo priemonių. Pavyzdžiui, tai gali būti saugusis stabdys dingus pavaros ar valdiklio maitinimui, kai reikia sustabdyti judėjimą, kad nesusidarytų nesaugi būklė.

Polish

Projekt systemu oraz bezpieczeństwo personelu

Siłownik i sterownik przeznaczone są do stosowania jako komponenty do profesjonalnego włączenia do pełnego sprzętu lub systemu. W przypadku nieprawidłowej instalacji siłownik lub sterownik mogą stwarzać zagrożenie bezpieczeństwa. Siłownik i sterownik wykorzystują wysokie napięcie i prąd, przenoszą wysoki poziom zmagazynowanej energii elektrycznej i są wykorzystywane do sterowania sprzętem, który może powodować obrażenia. Należy zwracać szczególną uwagę na instalację elektryczną oraz projekty systemu w celu uniknięcia zagrożeń podczas normalnej eksploatacji lub w przypadku awarii sprzętu. Projekt systemu, instalację, rozruch oraz konserwację powinien wykonywać personel posiadający niezbędne przeszkolenie oraz doświadczenie. Powinni oni zapoznać się z niniejszą informacją bezpieczeństwa oraz podręcznikiem. **Żadna z funkcji lub cech siłownika lub sterownika nie może być stosowana do zapewnienia bezpieczeństwa personelu, tj. nie wolno ich stosować w zakresie funkcji dotyczących bezpieczeństwa.** Na przykład, jeśli obecne, włącznie/ponownie uruchomienie siłownika i sterownika, włączenie/wyłączenie, hamulec, stop.start oraz funkcje do przodu/do tyłu nie są wystarczające do stosowania w aplikacjach ważnych z punktu widzenia bezpieczeństwa bez dodatkowych niezależnych kanałów ochrony. Należy dokładnie rozważyć funkcje siłownika i sterownika, które mogą skutkować zagrożeniem, w ramach ich zamierzonego działania lub wskutek nieprawidłowego działania spowodowanego awarią. W każdej funkcji, w której awaria siłownika, sterownika lub ich systemu sterownia może prowadzić do lub umożliwić uszkodzenie, stratę lub obrażenie, należy wykonać analizę ryzyka i, tam gdzie to niezbędne, podjąć dalsze środki w celu zredukowania ryzyka. Na przykład, hamulec odporny na uszkodzenia w przypadku utraty zasilania siłownika lub sterownika w przypadku ruchu należy zatrzymać w celu zapobieżenia niebezpiecznemu stanowi poprzez dalszy rozwój sytuacji.

Portuguese

Concepção do sistema e segurança para o pessoal

O actuador e o controlador destinam-se a ser utilizados como componentes para incorporação profissional em equipamento completo ou num sistema. Se instalados incorrectamente, o actuador ou controlador podem apresentar um risco de segurança. O actuador e o controlador usam tensões e correntes altas, transportam um nível elevado de energia eléctrica armazenada e são usados para controlar equipamentos que podem causar lesões. É necessária atenção especial para a instalação eléctrica e concepção do sistema para evitar riscos tanto durante o funcionamento normal, como em caso de avaria do equipamento. A concepção do sistema, instalação, entrada em funcionamento e manutenção têm de ser efectuadas por pessoal com a necessária formação e experiência. Estes deverão ler cuidadosamente esta informação de segurança e este manual.

Nenhuma das funções ou funcionalidades do actuador ou controlador podem ser usadas para garantir a segurança do pessoal, isto é, não podem ser usadas para funções relacionadas com a segurança. Por exemplo, se existentes, as funções executar/repôr, activar/desactivar, travar, parar/iniciar e para a frente / trás não são suficientes para o uso em aplicações de segurança críticas sem canais independentes adicionais de protecção. As funções do actuador e do controlador que possam resultar em perigo, seja através do seu comportamento previsto, seja pelo funcionamento incorrecto devido a uma falha, têm de ser cuidadosamente consideradas. Em qualquer aplicação em que uma avaria do actuador, controlador ou do respectivo sistema de controlo possa originar ou permitir danos, perdas ou lesões, tem de ser feita uma análise de risco e, se necessário, tomar mais medidas para reduzir o risco. Por exemplo, um travão de segurança intrínseca em caso de perda de energia do actuador ou do controlador quando o movimento tem de ser parado para evitar o desenvolvimento de uma condição insegura.

Romanian

Design al sistemului și securitatea pentru personal

Actuatorul și controlerul sunt destinate utilizării ca și componente pentru încorporarea profesională într-un echipament sau într-un sistem complet. Dacă se instalează în mod incorect, actuatorul sau controlerul pot prezenta un pericol privind securitatea. Actuatorul și controlerul utilizează tensiune înaltă, respectiv curent înalt, transportă un nivel înalt de energie electrică și sunt utilizate pentru a controla echipamentul care poate cauza vătămări. Se solicită atenție sporită față de instalația electrică și de designul sistemului pentru a evita pericolul fie în regimul normal de operare, fie în eventualitatea unei disfuncționalități a echipamentului. Designul de sistem, instalarea, transportarea și mentenanța trebuie executate de personal care deține instruirea și experiența necesare. Acesta trebuie să citească cu atenție aceste informații privind securitatea și acest manual.

Niciuna din funcțiile sau caracteristicile actuatorului sau controlerului nu pot fi utilizate pentru a asigura securitatea personalului, de ex. acestea nu trebuie utilizate pentru funcții privind securitatea. De exemplu, atunci când există, funcțiile actuatorului și controlerului de funcționare/resetare, de activare/dezactivare, de oprire/pornire și de avansare/revenire nu sunt suficiente pentru utilizarea în aplicații critice din punct de vedere al securității fără canale suplimentare independente de protecție. Trebuie acordată o atenție deosebită funcțiilor actuatorului și controlerului care pot cauza un pericol, prin comportamentul lor destinat sau prin funcționarea incorectă datorată unei erori. În orice aplicație, unde o disfuncționalitate a actuatorului, controlerului sau sistemului lor de control poate duce la sau poate permite o daună, pierdere sau vătămare, trebuie realizată o analiză a riscurilor și, unde este necesar, trebuie luate măsuri suplimentare pentru reducerea riscului. De exemplu, o frână cu securitate intrinsecă în cazul unei pierderi a puterii actuatorului sau a controlerului în timpul mișcării trebuie dacă aceasta trebuie oprită pentru a preveni crearea unei condiții nesigure.

Slovak

Dizajn systému a bezpečnosť personálu

Spúšťač a ovládač sa považujú za súčasť, ktoré je nevyhnutné odbornou nainštalovať do kompletného zariadenia alebo systému. V prípade nesprávnej inštalácie môže spúšťač alebo ovládač predstavovať bezpečnostné riziko. Spúšťač a ovládač používajú vysoké napätie a prúd, ich súčasťou je vysoká úroveň uchovanej elektrickej energie a používajú sa na ovládanie zariadení, ktoré môžu spôsobiť zranenie. Elektrickej inštalácii a systémovému dizajnu je potrebné venovať mimoriadnu pozornosť, aby nedochádzalo k nebezpečným situáciám v priebehu normálnej prevádzky zariadenia alebo jeho zlyhania. Návrh dizajnu systému, inštaláciu, spustenie do prevádzky a údržbu musí vykonávať personál s príslušným školením a skúsenosťami. Tento personál si musí pozorne prečítať tieto bezpečnostné informácie a túto príručku. **Žiadna z funkcií alebo vlastností spúšťača alebo ovládača sa nesmie používať na zaistenie bezpečnosti personálu, t. j. nesmú sa používať v súvislosti s funkciami, ktoré sa týkajú bezpečnosti.** Funkcie spustenia/resetovania, zapnutia a vypnutia, zabrzdzenia, zastavenia a spustenia a pohybu vpred/vzad spúšťača a ovládača (ak existujú) nepostačujú na používanie v rámci aplikácií s mimoriadnym významom bezpečnosti bez použitia ďalších prostriedkov ochrany. Funkciám spúšťača a ovládača, ktoré môžu viesť k bezpečnostným rizikám (počas ich normálneho fungovania alebo nesprávneho fungovania v dôsledku chyby) je potrebné venovať veľkú pozornosť. V rámci akejkoľvek aplikácie, v ktorej zlyhanie spúšťača, ovládača alebo ich ovládacieho systému môže viesť k poškodeniam, stratám alebo zraneniam, je potrebné vykonať analýzu rizika a podľa potreby prijať ďalšie opatrenia zamerané na obmedzenie rizika. Ide napríklad o bezpečnostný brzdný systém v prípade, ak dôjde k výpadku napájania spúšťača alebo ovládača a je nevyhnutné zastaviť pohyb, aby nedošlo k vytvoreniu nebezpečných prevádzkových podmienok.

Slovenian

Konstrukcija sistema in varnost za osebe

Sprožilni in krmilnik sta predvidena za uporabo kot komponenti za profesionalno vgradnjo v popolno opremo ali sistem. Če ju ne namestite pravilno, predstavljata varnostno nevarnost. Sprožilni in krmilnik uporabljata visoke napetosti in tokove, prenašata visoko raven shranjene električne energije in se uporabljata za nadzor opreme, ki lahko povzroči poškodbe. Zelo pozorni morate biti na električno inštalacijo in konstrukcijo sistema, da preprečite nevarnosti pri normalnem obratovanju ali v primeru okvare opreme. Konstrukcija sistema, njegova namestitvev, zagon in vzdrževanje morajo biti izvedeni s strani osebe z ustreznimi kvalifikacijami in izkušnjami. Osebe mora skrbno prebrati te varnostne informacije in ta priročnik. **Nobenih funkcij ali lastnosti sprožila ali krmilnika ni dovoljeno uporabljati za zagotavljanje varnosti osebe, to pomeni, da se ne smeta uporabljati za izvajanje funkcij, povezanih z varnostjo.** Na primer: funkcije sprožila in krmilnika zagon/ponastavitev, omogoči/onemogoči, zaviraj, zaustavitev/zagon in naprej/nazaj ne zadoščajo za uporabo pri varnostno kritični uporabi brez dodatnih samostojnih zaščitnih ukrepov. Pozorno preučite funkcije sprožila in krmilnika, pri uporabi katerih lahko pride do nevarnosti zaradi njihove nenamerne uporabe ali nepravilnega delovanja zaradi napake. Pri vsakršni uporabi, pri kateri lahko okvara sprožila, krmilnika ali njunega nadzornega sistema vodi do oz. povzroči škodo, izgubo ali poškodbe, je treba opraviti analizo in, po potrebi, uvesti nadaljnje ukrepe za zmanjšanje tveganja. Če npr. zaščitna varnostna zavora, ki v primeru izgube napajanja sprožila ali krmilnika, ko je treba vse premike zaustaviti, prepreči nastanek nevarnih situacij.

Spanish

Diseño del sistema y seguridad del personal

El accionador y el controlador están concebidos para aplicarlos como componentes para su incorporación profesional en equipos o sistemas completos. Si se instalan de forma incorrecta, el accionador o controlador puede plantear un riesgo para la seguridad. El accionador y el controlador utilizan altas tensiones y corrientes, poseen un alto nivel de energía eléctrica almacenada y se utilizan para controlar equipos que pueden causar lesiones. Debe prestarse especial atención a la instalación eléctrica y al diseño del sistema

con el fin de evitar los riesgos, ya sea durante el funcionamiento normal o en caso de mal funcionamiento del equipo. El diseño, la instalación, la puesta en marcha y el mantenimiento del sistema deben ser realizados por personal que posea la formación y experiencia necesarias. Estos profesionales han de leer cuidadosamente esta información de seguridad y este manual. **Ninguna de las funciones o características del accionador o controlador se pueden utilizar para garantizar la seguridad del personal, es decir, no se deben utilizar en funciones relacionadas con la seguridad.** Por ejemplo, cuando estén presentes, las funciones de iniciar/reiniciar, activar/desactivar, freno, arranque/parada, y avance/retroceso del accionador y controlador no son suficientes para su uso en aplicaciones críticas de seguridad en ausencia de canales independientes de protección adicionales. Debe prestarse especial atención a las funciones del accionador y controlador que podrían originar un peligro, ya sea durante su uso previsto o como consecuencia de un funcionamiento incorrecto debido a una avería. En cualquier aplicación en la que se produzca un fallo de funcionamiento del accionador, del controlador o de su sistema de control, se podrían producir daños, pérdidas o lesiones. Se debe llevar a cabo un análisis de los riesgos y, cuando proceda, adoptar medidas adicionales con el objetivo de reducir el riesgo. Por ejemplo, en las situaciones en las que sea necesario detener el movimiento con el fin de evitar el desarrollo de una situación de inseguridad, se debe instalar un freno a prueba de fallos que se accione en caso de pérdida de potencia del accionador o del controlador.

Swedish

Systemdesign och säkerhet för personal

Manöverdonet och kontrolldonet är avsedda att användas som komponenter för professionell inkomponering i komplett utrustning eller ett system. Vid felaktig montering kan manöverdonet eller kontrolldonet utgöra en säkerhetsrisk. Manöverdonet och kontrolldonet använder hög spänning och strömstyrka, innehåller höga laddningar av lagrad elektrisk energi och används för att kontrollera utrustning som kan orsaka skada. Stor noggrannhet krävs vid elektrisk installation och systemdesign för att undvika risker, antingen vid normal drift eller i händelse av uppkomna fel i utrustningen. Systemdesign, installation, utfärdande av fullmakt och underhåll får endast utföras av personer med nödvändig utbildning och erfarenhet. De måste noggrant läsa denna säkerhetsinformation och manual. **Inga funktioner eller egenskaper hos manöverdonet eller kontrolldonet kan användas för att höja säkerheten för personalen, d.v.s. de får inte användas för säkerhetsrelaterade funktioner.** Till exempel, när de finns installerade, är manöverdonets och kontrolldonets funktioner för kör/återställ, aktivera/inaktivera, bromsa, stopp/start och framåt/bakåt inte tillräckliga att användas i applikationer som är kritiska för säkerheten, utan att ytterligare oberoende skyddsalternativ finns. Noggranna överväganden krävs rörande manöverdonets och kontrolldonets funktioner, vilka kan ge upphov till fara, antingen genom deras avsedda beteende eller genom felaktig funktion, orsakad av fel. I alla applikationer där en funktionsstörning hos manöverdonet, kontrolldonet eller deras kontrollsystem kan leda till, eller tillåta materialskada, förlust eller personskada, måste en riskanalys genomföras, och där så krävs, ytterligare åtgärder vidtas för att minska risken. Till exempel en nödbroms i händelse av strömavbrott till manöverdon eller kontrolldon, när rörelse måste stoppas för att förhindra att farlig situation uppstår.

WARNING



English Dangerous Voltages

Never attempt to connect or disconnect the actuator with power applied.

Dangerous voltages are present. Damage to equipment and injury to personnel can result. The controller may have voltage present for a considerable time period after incoming power is removed. Take care to insure that the controller has discharged all power.

Bulgarian

Опасни напрежения

Никога не се опитвайте да свързвате или разкачвате активатора при прилагане на мощност. Налице са опасни напрежения. Може да се получи повреда на апаратурата и нараняване на персонала. В контролера може да има напрежение за значителен период от време след отстраняване на захранващата мощност. Непременно се уверете, че в контролера не е останала никаква енергия.

Croatian

Opasni naponi

Nikada ne pokušavajte spojiti ili odspojiti aktuator dok je pod naponom. Prisutni su opasni naponi. Može doći do oštećenja i ozljeđivanja osoblja. Upravljač može biti pod naponom još dulje vrijeme nakon isključivanja dovodnog napajanja. Iz upravljača se mora potpuno isprazniti napajanje.

Czech

Nebezpečná napětí

Aktuátor nikdy nepřipojujte či neodpojujte, je-li zapnuto napájení. Jsou přítomna nebezpečná napětí. Může dojít k poškození zařízení a zranění osob. Napětí na ovladači může být přítomno i delší dobu po vypnutí přívodu proudu. Ujistěte se, že se všechen proud z ovladače vybil.

Danish

Fare: Højspænding

Forsøg aldrig at tilslutte eller frakoble aktuatoren med strømmen slået til. Der er farlige spændingsværdier til stede. Det kan medføre skade på udstyret eller personalet. Der kan være strøm i kontrolleren i et betragteligt tidsrum efter, at den indgående strøm er afbrudt. Vær påpasselig med at sørge for, at kontrolleren har afladet al strømmen.

Dutch

Gevaarlijke spanning

Probeer nooit de actuator aan of af te sluiten als deze van stroom voorzien zijn. Er staat een gevaarlijke spanning op. Dit kan schade aan apparatuur of persoonlijk letsel tot gevolg hebben. De regelaar kan nog geruime tijd nadat de stroomtoevoer verbroken is onder spanning staan. Controleer goed of alle spanning van de regelaar ontladen is.

Estonian

Ohtlik pinge

Ärge püüdke mingil juhul ühendada täiturit või juhtseadet pinge all. Seadme osad on ohtliku pinge all. Seade võib kahjustada ja töötajad võivad kehavigastusi saada. Juhtseade võib olla pinge all veel märkimisväärse aja jooksul pärast sisendpinge lahtüendamist.

French

Tensions dangereuses

Ne jamais essayer de connecter ou déconnecter l'actionneur lorsqu'il est sous tension. Des tensions dangereuses le parcourent. Le matériel pourrait être endommagé et le personnel pourrait être blessé. Du courant peut rester à l'intérieur du contrôleur pendant une période considérable après sa mise hors tension. Veillez à ce que tout le courant soit évacué du contrôleur.

German

Gefährliche Spannung

Versuchen Sie niemals, den Auslöser anzuschließen oder zu trennen, wenn er an das Stromnetz angeschlossen ist. Es liegt eine gefährliche Spannung vor. Dies kann zu Schäden am Gerät oder Verletzungen von Mitarbeitern führen. Beim Regler kann noch einige Zeit Spannung vorliegen, nachdem der eingehende Strom abgetrennt wurde. Seien Sie vorsichtig, um sicherzugehen, dass der Regler vollständig entladen ist.

Greek

Επικίνδυνες τάσεις

Μην προσπαθείτε ποτέ να συνδέσετε ή να αποσυνδέσετε το μηχανισμό κίνησης ενώ εφαρμόζεται ισχύς. Υπάρχουν επικίνδυνες τάσεις. Μπορεί να προκύψει ζημιά στον εξοπλισμό και τραυματισμός στο προσωπικό. Ο ελεγκτής μπορεί να έχει παρούσα τάση για αρκετό χρονικό διάστημα έπειτα από την αφαίρεση της εισερχόμενης ισχύος. Προσέξτε να βεβαιωθείτε ότι ο ελεγκτής έχει εκφορτίσει όλη την ισχύ.

Hungarian

Veszélyes feszültségek

Soha ne kísérelje meg csatlakoztatni vagy lecsatlakoztatni az aktuátort, ha áram alatt van. Élvezetélyes feszültség alatt lehet. Károsodhat a készülék, és megsérülhet a személyzet. A vezérlő még hosszabb ideig feszültség alatt maradhat, miután a bejövő áramellátást megszüntették. Ne felejtse el ellenőrizni, hogy a vezérlő feszültségmentessé vált-e.

Italian

Voltaggi pericolosi

Non tentare mai di collegare o scollegare l'attuatore se alimentato. Sono presenti voltaggi pericolosi. Potrebbero verificarsi danni all'apparecchiatura e lesioni al personale. Il controller potrebbe risultare ancora alimentato per un considerevole periodo di tempo dopo aver scollegato l'alimentazione. Accertarsi che il controller abbia scaricato tutta la carica di alimentazione.

Latvian

Bīstams spriegums

Nekad nemēģiniet pievienot vai atvienot piedziņu, ja ir pieslēgts spriegums. Iekārtā ir bīstami spriegumi. Var tikt bojāta iekārta un traumēts personāls. Vadības ierīcē spriegums var būt ilgāku laiku pēc tam, kad ir atslēgts barošanas spriegums. Noteikti nodrošiniet, lai vadības ierīce tiktu pilnībā izlādēta.

Lithuanian

Pavojinga įtampa

Niekada nemėginkite prijungti ar atjungti pavaros, kai įjungtas maitinimas. Yra pavojinga įtampa. Gali būti apgadinta įranga ir sužalotas personalas. Valdiklyje gali likti įtampa ir praėjus tam tikram laikotarpiui nuo maitinimo atjungimo. Būkite labai atidūs ir įsitinkinkite, kad valdiklis visiškai išsielektrino.

Polish

Niebezpieczne napięcia

Nigdy nie podejmować prób podłączenia lub odłączenia silownika będącego pod napięciem. Obecne są niebezpieczne napięcia. Skutkiem może być uszkodzenie sprzętu lub obrażenia personelu. W sterowniku może znajdować się wysokie napięcia przez znaczny okres czasu po wyłączeniu zasilania prądem. Należy upewnić się, że sterownik został dokładnie rozładowany.

Portuguese

Tensões perigosas

Nunca tente ligar ou desligar o actuador com energia aplicada. Há tensões perigosas. Poderão ocorrer danos no equipamento e lesões no pessoal. O controlador pode ter tensão durante um período de tempo considerável após remoção da energia de entrada. Tenha cuidado para garantir que o controlador descarregou toda a energia.

Romanian

Tensiuni periculoase

Nu încercați să conectați sau să deconectați actuatorul sau controlerul în timp ce este alimentat. Sunt prezente tensiuni periculoase. Acestea pot cauza deteriorarea echipamentului și vătămarea personalului. Controlerul poate prezenta tensiune timp de o perioadă considerabilă după îndepărtarea alimentării. Aveți grijă să vă asigurați că toată puterea electrică a fost descărcată din controler.

Slovak

Nebezpečné napätia

Nikdy sa nepokúšajte pripájať alebo odpájať spúšťač so zapnutým napájaním. V systéme sa nachádza nebezpečné napätie. Výsledkom môže byť poškodenie zariadenia a zranenie personálu. V ovládači sa môže nachádzať napätie aj dlhšiu dobu po odpojení napájania. Nikdy nezabudnite overiť, či sa z ovládača uvoľnilo všetko napätie.

Slovenian

Nevarne napetosti

Nikoli ne skušajte priklopiti ali odklopiti sprožila, ko je pod napetostjo. Prisotne so nevarne napetosti. Posledica so lahko okvara opreme in telesne poškodbe osebja. Krmilnik je lahko pod napetostjo še nekaj časa po prekinitvi napajanja. Prepričajte se, da v krmilniku ni več napetosti.

Spanish

Tensiones peligrosas

Nunca trate de conectar o desconectar el accionador mientras se esté aplicando alimentación eléctrica. Estos dispositivos utilizan tensiones peligrosas, que podrían dar lugar a daños a los equipos y lesiones al personal. El controlador puede presentar tensión durante un período considerable después de la desconexión de la alimentación de entrada. Cerciórese de que el controlador haya descargado toda la energía.

Swedish

Farlig spänning

Försök aldrig att koppla in eller koppla ur manöverdonet eller kontrolldonet med påslagen spänning. Farlig spänning förekommer. Kan leda till skada på utrustning och personskada. Kontrolldonet kan ha kvarvarande spänning under lång tid efter att strömmen brutits. Var noga med att kontrollera att kontrolldonet är spänningsfritt.

WARNING



English

Connected by Exposed Wire

A special hazard may exist where the actuator is incorporated into a system which is connected using exposed wire. When disconnected, the exposed wire may still be connected to the actuator, which may still have dangerous voltage levels present. It is the responsibility of the user to avoid any possibility of electric shock from the exposed wires, if they are accessible.

Bulgarian

Свързване чрез неизолиран проводник

Когато активаторът е включен в система, която е свързана чрез неизолиран проводник, може да е налице особен риск. След изключване, неизолираният проводник може да продължава да е свързан към активатора, в който все още може да са налице опасни нива на напрежение. Отговорност на потребителя е да предотврати всяка възможност за токов удар от неизолираните проводници, ако те са достъпни.

Croatian

Priključivanje pomoću gole (izložene) žice

Posebna opasnost može postojati kada je aktuator uključen u sustav koji je priključen pomoću огоljene žice. Prilikom isključivanja огоljena žica još uvijek može biti spojena na aktuator u kojem još mogu postojati opasne razine napona. Korisnik mora osigurati izbjegavanje bilo kakve mogućnosti udara električne struje putem огоljenih žica ako su one dostupne. roatian

Czech

Připojení neizolovaným vedením

Zvláštní nebezpečí se může vyskytovat v systému, do kterého je aktuátor zapojen neizolovaným elektrickým vedením. I po odpojení může být neizolované vedení stále připojeno k aktuátoru, v kterém může být nebezpečné napětí stále přítomné. Je zodpovědností každého uživatele, aby se vyhnul jakékoliv možnosti vzniku úrazu elektrickým proudem tímto neizolovaným vedením, je-li přístupné.

Danish

Forbundet med ubeskyttede ledninger

Der kan foreligge en særlig fare, når aktuatoren inkorporeres i et system, der er forbundet ved brug af ubeskyttede ledninger. Ved frakobling kan de ubeskyttede ledninger stadig være forbundet til aktuatoren eller kontrolleren, som stadig kan have farlige spændingsværdier i sig. Det er brugerens ansvar at undgå enhver mulighed for elektrisk stød fra de ubeskyttede ledninger, hvis de er tilgængelige.

Dutch

Aangesloten met blootliggende draad

Er kan een bijzonder gevaarlijke situatie ontstaan als de actuator in een systeem opgenomen is dat aangesloten is met gebruik van blootliggende draad. Het behoort tot de verantwoordelijkheid van de gebruiker om de mogelijkheid van elektrische schok door blootliggende draden te vermijden. Het behoort tot de verantwoordelijkheid van de gebruiker om de mogelijkheid van elektrische schok door blootliggende draden te vermijden.

Estonian

Isoleerimata voolujuhid

Kui täitur või juhtseade on ühendatud isoleerimata juhtidega ühendatud süsteemi, siis esinevad erakorralised ohud. Pärast lahtiühendamist võib isoleerimata juht jääda siiski ühendatuks täituri või juhtseadmega, milles võib veel säilida ohtlik pinge. Kui isoleerimata juhid on ligipääsetavad, siis on neist põhjustatud võimaliku elektrilöögi vältimine kasutaja kohustus.

French

Connecté par un fil exposé

Un danger spécial peut exister lorsque l'actionneur est incorporé à un système qui est connecté à l'aide d'un fil exposé. Pendant la déconnexion, le fil exposé peut toujours être connecté à l'actionneur, dans lequel des tensions dangereuses peuvent encore se trouver. Il est de la responsabilité de l'utilisateur d'éviter tout risque d'électrocution à cause des fils exposés, s'ils sont accessibles.

German

Anschluss über freies Kabel

Eine besondere Gefahr kann vorliegen, wenn der Auslöser sich einem System befindet, das über ein freies Kabel angeschlossen ist. Einmal getrennt, kann das freie Kabel noch immer am Auslöser angeschlossen sein, an dem noch immer gefährliche Spannung vorliegt. Der Benutzer muss sicherstellen, dass die Gefahr eines elektrischen Schocks durch das freie Kabel vermieden wird, wenn sie frei liegen.

Greek

Σύνδεση με εκτεθειμένο σύρμα

Μπορεί να υφίσταται ένας ειδικός κίνδυνος όπου ο μηχανισμός κίνησης είναι ενσωματωμένος σε ένα σύστημα που συνδέεται με εκτεθειμένο σύρμα. Όταν αποσυνδέεται, το εκτεθειμένο σύρμα μπορεί ακόμη να είναι συνδεδεμένο με το μηχανισμό κίνησης, ο οποίος μπορεί να έχει ακόμη επικίνδυνα επίπεδα ισχύος. Αποτελεί ευθύνη του χρήστη να αποφύγει κάθε πιθανότητα ηλεκτροπληξίας από τα εκτεθειμένα σύρματα, εάν είναι προσπελάσιμα.

Hungarian

Csatlakozás védetlen vezetékkel

Különléges veszélyforrást jelent, ha az aktuátor olyan rendszerbe van beépítve, mely védetlen vezetékkel van csatlakoztatva. Amikor a készülék le van csatlakoztatva, a védetlen vezeték még csatlakoztatva lehet az aktuátorhoz, mely továbbra is veszélyes feszültség alatt állhat. A felhasználó felelőssége, hogy elkerülje a védetlen vezetékek miatt létrejövő áramütés minden lehetőségét, ha vannak ilyen vezetékek.

Italian

Connessione tramite cavo esposto

Esiste un rischio speciale se l'attuatore è incorporato in un sistema collegato tramite cavi esposti. Quando viene scollegato, il cavo esposto potrebbe ancora essere attaccato all'attuatore che potrebbe essere ancora carico di voltaggi pericolosi. È responsabilità dell'utente evitare le potenziali scariche elettriche che potrebbero essere generate dai cavi esposti se accessibili.

Latvian

Pievienots ar kailvadu

Īpaši bīstami var būt, ja piedziņa ir pievienota tīklam, izmantojot kailvadu. Pēc atslēgšanas kailvads var būt vēl pieslēgts piedziņai, kam var būt vēl saglabājies bīstams sprieguma līmenis. Lietotājs ir atbildīgs par to, lai izvairītos no elektriskā trieciena no kailvada, ja tie ir pieejami.

Lithuanian

Prijungimas atviru laidu

Specialus pavojus gali kilti, jei pavara įjungiamą į sistemą, kurioje naudojamas atviras laidas. Atjungus sistemą atviras laidas gali būti vis dar prijungtas prie pavaros ar valdiklio, kuriuose vis dar gali būti pavojingas įtampos lygis. Naudotojas privalo vengti bet kokios elektros smūgio dėl atvirų laidų galimybių, jei laidai yra pasiekiami.

Polish

Podłączenie za pomocą przewodu niez izolowanego

Specjalne zagrożenie może istnieć w przypadku włączenia siłownika do systemu, który podłączony jest za pomocą przewodu niez izolowanego. W stanie odłączenia, przewód niez izolowany może być nadal podłączony do siłownika, w którym z kolei może znajdować się jeszcze niebezpieczne napięcie. Użytkownik ponosi odpowiedzialność za unikanie każdej możliwości porażenia elektrycznego pochodzącego z przewodów niez izolowanych, jeśli te są dostępne.

Portuguese

Ligação através de fio exposto

Poderá haver um perigo especial nos casos em que o actuador é incorporado num sistema que é ligado através de um fio exposto. Quando desligado, o fio exposto ainda pode ser ligado ao actuador o qual poderá ainda ter níveis perigosos de tensão. É da responsabilidade do utilizador evitar a possibilidade de choques eléctricos provocados pelos fio expostos, se estiverem acessíveis.

Romanian

Conectat prin fir neprotejat

Poate exista un pericol special acolo unde actuatorul este încorporat într-un sistem care este conectat cu ajutorul unui fir neprotejat. Atunci când este deconectat, firul neprotejat poate fi conectat încă la actuator, care poate prezenta încă nivele de tensiune periculoasă. Este responsabilitatea utilizatorului de a evita orice posibilitate de electrocutare din cauza firelor neprotejate, dacă acestea sunt accesibile.

Slovak

Pripojenie prostredníctvom odhaleného vodiča

Špecifické riziko môže nastať vtedy, keď je spúšťač inštalovaný do systému pripojeného prostredníctvom odhaleného vodiča. Po odpojení môže byť odhalený vodič stále pripojený k spúšťaču, v ktorom sa môže stále nachádzať nebezpečné napätie. Používateľ je zodpovedný za vyhnutie sa možnosti úrazu elektrickým prúdom, spôsobeným odhalenými vodičmi (ak sú tieto vodiče dostupné).

Slovenian

Povezano z izpostavljeno žico

Posebna nevarnost lahko obstaja, če je sprožilo vgrajeno v sistem, ki je povezan z izpostavljeno žico. Ko je odklopljena, je lahko izpostavljena žica še vedno priklopljena na sprožilo, v katerem so lahko še vedno nevarne napetosti. Uporabnik je odgovoren za preprečitev možnosti električnega udara zaradi izpostavljenih žic na mestih, kjer so te dostopne.

Spanish

Conexión mediante cables descubiertos

Puede existir una situación de peligro especial cuando el accionador se incorpore en un sistema que esté conectado mediante cables descubiertos. Cuando está desconectado, sigue siendo posible conectar el cable descubierto al accionador, que aún puede presentar niveles peligrosos de tensión. Es responsabilidad del usuario evitar cualquier posibilidad de descarga eléctrica como consecuencia de los cables descubiertos, si son accesibles.

Swedish

Anslutning via oisolerad ledning

En särskild risk kan föreligga när manöverdonet ingår i ett system som är anslutet med oisolerade ledningar. När strömmen är bortkopplad kan den oisolerade ledningen fortfarande vara ansluten till manöverdonet, som fortfarande kan bära farliga spänningsnivåer. Det är användarens ansvar att undvika alla möjligheter till elektrisk chock genom de oisolerade ledningarna, om dessa är åtkomliga.

WARNING



English

Grounding - High Leakage Current

The actuator must be grounded by a conductor sufficient to carry all possible fault current in the event of a fault. This equipment has high earth leakage current. You must comply with local safety regulations with respect to minimum size and special installation requirements on the protective earth conductor for high leakage current equipment. The ground connections shown in this manual must be followed.

Bulgarian

Заземяване - Висок ток на утечка

Активаторът трябва да се заземи с проводник, достатъчен за поемане на всеки възможен ток при случай на авария. Тази апаратура има висок ток на утечка към заземяването. Трябва да се съобразявате с локалните правила за безопасност по

отношение на минималния размер и специалните изисквания за инсталация на проводника за защитно заземяване за оборудване с висок ток на утечка. Свързванията към заземяването, показани в това ръководство, трябва да се спазват.

Croatian

Uzemljenje - visoko propuštanje struje

Aktuator mora biti uzemljen pomoću provodnika čiji je kapacitet dovoljan za sve moguće struje kvara u slučaju pogreške. Ova oprema sadrži visoko propuštanje struje. Poštujte lokalne sigurnosne propise u odnosu na minimalne dimenzije i posebne zahtjeve za instalaciju provodnika zaštitnog uzemljenja za opremu s visokim propuštanjem struje. Moraju se poštovati priključci uzemljenja prikazani u ovom priručniku.

Czech

Uzemnění – vysoký unikající proud

Aktuátor se musí uzemnit vodičem, který je dostačující k vedení veškerého možného poruchového proudu v případě poruchy. Toto zařízení má vysoký unikající zemní proud. Musíte dodržovat místní bezpečnostní nařízení týkající se minimální velikosti a zvláštních instalačních požadavků na ochranný vodič pro zařízení s vysokým unikajícím proudem. Je třeba dodržet zemní spoje zobrazené v tomto návodu k použití.

Danish

Jording - Høj lækstrøm

Aktuatoren skal jordes ved brug af en ledning, der er i stand til at lede al eventuel fejlstrøm væk i tilfælde af funktionssvigt. Dette udstyr har en høj jordlækstrøm. Man skal overholde lokale sikkerhedsregler med hensyn til minimumstørrelse og særlige installationskrav for den beskyttende jordledning til udstyr med høj lækstrøm. Jordforbindelserne, der er vist i denne vejledning, skal følges.

Dutch

Aarding - hoge lekstroomsterkte

De actuator moet door een geleider geaard worden om eventuele kortsluitstroom bij storingen af te voeren. Deze apparatuur heeft een grote aardlekstroom. U moet voldoen aan de plaatselijke veiligheidsregelgeving met betrekking tot de minimale afmetingen en speciale installatievereisten van de beschermende aardleiding voor apparatuur met hoge lekstroomsterkte. De in deze handleiding weergegeven aardverbinding moet aangehouden worden.

Estonian

Maandus - suur lekkevoolu tugevus

Täitur peab olema maandatud juhi abil, mis on piisav selleks, et rikke korral taluda kogu võimalikku rikkevoolu. Sellel seadmel on suure tugevusega lekkevoolu. Maandus peab vastama paigalduskohal kehtivatele ohutusnõuetele maandusjuhi minimaalrõõrike ja paigalduse erinõuete osas, et taluda seadme suurt lekkevoolu. Maandusühendustes tuleb järgida käesolevas juhendis esitatud nõudeid.

French

Mise à la terre - Courant de fuite élevé

L'actionneur doit être mis à la terre par un conducteur suffisant pour transporter la totalité du courant de défaut possible en cas de panne. Ce matériel a un courant de fuite élevé. Vous devez vous conformer aux règlements de sécurité en vigueur en ce qui concerne la taille minimale et les exigences spécifiques d'installation sur le conducteur de terre de protection pour la matériel à courant de fuite élevé. Les connexions de terre indiquées dans ce manuel doivent être respectées.

German

Erdung - Hoher Leckstrom

Der Auslöser muss über einen Leiter geerdet sein, der bei einer Fehlfunktion alle möglichen Fehlströme ableiten kann. Das Gerät verfügt über einen hohen Erdungsfehlstrom. Sie müssen den örtlichen Sicherheitsvorschriften für Minimalgröße und besondere Installationsanforderungen des Schutzleiters für Geräte mit hohen Fehlströmen entsprechen. Es müssen die in diesem Handbuch gezeigten Erdungsverbindungen befolgt werden.

Greek

Γείωση - Ρεύμα υψηλής διαρροής

Ο μηχανισμός κίνησης πρέπει να είναι γειωμένος από έναν αγωγό επαρκή για να φέρει όλο το ενδεχόμενο ρεύμα βλάβης σε περίπτωση βλάβης. Αυτός ο εξοπλισμός έχει υψηλό ρεύμα διαρροής γείωσης. Θα πρέπει να συμμορφώνεστε με τους τοπικούς κανονισμούς ασφαλείας όσον αφορά το ελάχιστο μέγεθος και τις ειδικές απαιτήσεις εγκατάστασης για τον αγωγό προστατευτικής γείωσης για εξοπλισμό υψηλού ρεύματος διαρροής. Οι συνδέσεις γείωσης που απεικονίζονται σε αυτό το εγχειρίδιο πρέπει να ακολουθούνται.

Hungarian

Földelés - nagy levezetési áram

Az aktuátort a hiba eseten felmerülő minden lehetséges mértékű hibaáram levezetésére alkalmas vezetővel földelni kell. Ezen készülék és a föld között nagy levezetési áramok jöhetnek létre. A minimális méret és a nagy levezetési áramú készülék védőföldelési vezetőjére vonatkozó speciális szerelési követelmények tekintetében meg kell felelni a helyi biztonsági előírásoknak. Követni kell az ebben a kézikönyvben bemutatott földelési csatlakozások kialakítását.

Italian

Messa a massa - elevata corrente di fuga

L'attuatore deve essere messo a massa con un connettore in grado di portare tutta la corrente di guasto in caso di avaria. Questa attrezzatura ha un'elevata corrente di fuga di terra. È necessario adeguarsi alla normativa locale in materia di sicurezza relativamente alle dimensioni minime e ai requisiti minimi di installazione dei conduttori di messa a terra protettivi dell'attrezzatura con elevata corrente di fuga. Realizzare le connessioni di messa a massa indicate in questo manuale.

Latvian

Sazemēšana - liela noplūdes strāva

Piedziņa ir jā sazemē ar vadītāju, kas ir pietiekams, lai izturētu visas iespējamās bojājuma strāvas bojājuma gadījumā. Šai iekārtai ir liela zemējuma noplūdes strāva. Jums jāievēro vietējie drošības noteikumi attiecībā pret minimālo šķērsriezumu un speciālās uzstādīšanas prasības pret zemējuma aizsargvadu iekārtai ar lielu noplūdes strāvu. Izmantojiet šajā rokasgrāmatā norādītos zemējumu savienojumus.

Lithuanian

Įžeminimas - aukštos srovės nuotėkis

Pavarą ir valdiklį reikia įžeminti naudojant laidininką, gedimo atveju galintį pernešti visą galimą gedimo srovę. Įrangoje naudojama aukšta nuotėkio į žemę srovė. Turite laikytis vietos saugos taisyklių dėl minimalaus dydžio ir specialių apsauginių įžeminimo laidininkų aukštos įtampos įrangai įrengimo reikalavimų. Įžeminimo jungtys turi būti tokios, kokios nurodytos šiame vadove.

Polish

Uziemienie - wysoki prąd upływowy

Siłownik należy uziemić za pomocą przewodnika wystarczającego do przenoszenia całości możliwego prądu zakłóceniewego w przypadku awarii. Sprzęt ten posiada wysoki prąd upływowy. Należy przestrzegać miejscowych przepisów bezpieczeństwa w zakresie

minimalnego rozmiaru oraz specjalnych wymogów instalacji przewodnika ochronnego dla sprzętu o wysokim prądzie upływowym. Należy przestrzegać podłączeń uziemienia przedstawionych w tym podręczniku.

Portuguese

Ligação à terra - Corrente de fuga elevada

O actuador tem de ser ligado à terra através de um condutor suficiente para transportar toda a possível corrente de defeito em caso de falha. Este equipamento tem corrente de fuga para terra elevada. Terá de cumprir os regulamentos locais quanto aos requisitos de dimensões mínimas e instalação especial do condutor de protecção a terra para equipamentos com corrente de fuga elevada. As ligações à terra mostradas neste manual têm de ser seguidas.

Romanian

Legare la pământ - Curent înalt de scurgere la pământ

Actuatorul trebuie legat la pământ printr-un conductor suficient pentru a transporta tot curentul posibil de defect în eventualitatea unei erori. Acest echipament are un curent înalt de scurgere la pământ. Trebuie să îndepliniți reglementările locale privind securitatea cu respectarea dimensiunii minime și cerințelor speciale de instalare privind conductorul de protecție pentru legarea la pământ pentru echipamentul de curent înalt de scurgere la pământ. Trebuie respectate conexiunile de legare la pământ indicate în acest manual.

Slovak

Uzemnenie – vysoký zvodový (únikový) prúd

Spúšťač musí byť uzemnený prostredníctvom vodiča, ktorý prevezme všetok chybový prúd v prípade výskytu chyby. V tomto zariadení sa nachádzajú vysoké únikové prúdy. Je potrebné dodržiavať miestne bezpečnostné predpisy, ktoré sa vzťahujú na mimimálnu veľkosť a špeciálne požiadavky na inštaláciu v prípade ochranného uzemňovacieho vodiča vzhľadom na zariadenie s vysokým únikovým prúdom. Ozemňovacie pripojenia je potrebné vykonať v súlade s pokynmi uvádzanými v tejto príručke.

Slovenian

Ozemljitev - visok uhajavi tok

Sprožilo mora biti ozemljeno s prevodnikom, ki lahko prenaša ves možen uhajavi tok v primeru okvare. Ta oprema ima visok ozemljitveni uhajavi tok. Upoštevati morate lokalne varnostne predpise glede zahtev za najmanjšo velikost in posebno namestitev zaščitnega ozemljitvenega prevoznika za opremo z visokim uhajavim tokom. Upoštevati je treba ozemljitvene priključke, prikazane v tem priročniku.

Spanish

Puesta a tierra: corriente de fuga de alta intensidad

El accionador debe estar conectado a tierra a través de un conductor con capacidad suficiente para transportar todas las posibles corrientes de fallo en el caso de que se produzca un fallo. Este equipo presenta una corriente de fuga a tierra de alta intensidad. Es necesario cumplir las regulaciones locales de seguridad con respecto a las dimensiones mínimas y los requisitos especiales de instalación del conductor de tierra de protección para los equipos con corriente de fuga de alta intensidad. Se han de observar las conexiones de tierra que aparecen en este manual.

Swedish

Jordning - Hög läckström

Manöverdonet måste vara jordat genom en ledare med tillräckligt kapacitet att leda all felaktig ström i händelse av fel. Den här utrustningen har hög jordläckström. Du måste efterfölja lokala säkerhetsbestämmelser vad avser minimistorlek och speciella installationskrav på skyddsjordsledaren för utrustning med hög läckström. Jordningsanslutningarna som visas i den här manualen måste följas.

WARNING



English Hazardous Location Use

The EL120 series linear actuator is certified for use in hazardous locations. All additional equipment used to install the devices, such as cables, cable glands, sealant, fuses, etc., and installation techniques must be in compliance with local codes regarding use in hazardous locations.

Bulgarian

Употреба на опасни местоположения

Линейният активатор от серия EL120 е сертифициран за употреба на опасни местоположения. Всяко допълнително оборудване, използвано за инсталиране на уредите като кабели, кабелни уплътнения, предпазители и т.н., и техниките за инсталиране трябва да отговарят на локалните кодове за употреба на опасни местоположения.

Croatian

Upotreba na opasnim lokacijama

Linearni aktuatori serije EL120 certificirani su za upotrebu na opasnim lokacijama. Sva dodatna oprema koja se koristi za instalaciju uređaja poput kabela, kabelskih uvodnica, brtvila, osigurača itd te tehnike instalacije moraju biti u skladu s lokalnim zakonima koji se odnose na primjenu na opasnim lokacijama.

Czech

Použití v rizikovém prostředí

Řada EL120 lineárních aktuátorů je certifikována k použití v rizikovém prostředí. Veškeré příslušenství používané k instalaci zařízení, jako například kabely, kabelové průchodky, těsnící prostředky, pojistky atd., a způsob instalace musí být v souladu s místními předpisy pro použití v rizikovém prostředí.

Danish

Anvendelse i farlige områder

Den lineære EL120-serie-aktuator er certificeret til brug i farlige områder. Alt andet udstyr, der anvendes til at installere apparaturet, såsom kabler, kabelforskrninger, tætningsmidler, sikringer osv. samt installationsteknikkerne skal overholde lokale regelsæt vedrørende anvendelse i farlige områder.

Dutch

Gebruik in gevaarlijke omgeving

De lineaire actuator uit de EL120-serie is gecertificeerd voor gebruik in gevaarlijke omgevingen. Alle additionele apparatuur die gebruikt wordt bij de installatie van de apparatuur, zoals kabels, kabelpakkingen, afdichtmiddelen, zekeringen enz., evenals de installatietechnieken moeten voldoen aan de plaatselijke regelgeving met betrekking tot gebruik in een gevaarlijke omgeving.

Estonian

Plahvatusohtlik keskkond

Seeria EL120 lineaartäitur on sertifitseeritud kasutamiseks plahvatusohtlikes keskkondades. Seadmete paigaldamisel kasutatavad lisavahendid, näiteks kaablid, kaabli läbiviigud, tihendid, kaitsmed jne ning paigaldusviis peavad vastama kasutuskohas kehtivatele eeskirjadele, mis käsitlevad kasutamist plahvatusohtlikes keskkondades.

French

Utilisation dans un emplacement dangereux

L'actionneur linéaire série EL120 est certifié pour être utilisé dans des emplacements dangereux. Tout matériel supplémentaire utilisé pour installer les dispositifs (câbles, presse-étoupes, matériaux d'étanchéité, fusibles, techniques d'installation, etc.), doit être conforme aux règlements en vigueur concernant les emplacements à risque.

German

Einsatz in Gefahrenbereichen

Der Linearauslöser der EL120-Serie ist für den Einsatz in Gefahrenbereichen zertifiziert. Alle weitere Ausrüstung, die zur Installation der Geräte verwendet wird, wie Kabel, Kabelverschraubungen, Dichtungsmittel, Sicherungen, etc., und Installationstechniken müssen den örtlichen Vorgaben zum Gebrauch in Gefahrenbereichen entsprechen.

Greek

Χρήση σε επικίνδυνη τοποθεσία

Ο γραμμικός μηχανισμός κίνησης της σειράς EL120 έχει επικυρωθεί για χρήση σε επικίνδυνες τοποθεσίες. Όλος ο επιπρόσθετος εξοπλισμός που χρησιμοποιείται για την εγκατάσταση των συσκευών, όπως καλώδια, στυπιοθλίπτες καλωδίων, στεγανοποιητικό, ασφάλειες κλπ και οι τεχνικές εγκατάστασης πρέπει να συμμορφώνονται με τους τοπικούς κώδικες όσον αφορά τη χρήση σε επικίνδυνες τοποθεσίες.

Hungarian

Alkalmazás veszélyes helyszínen

Az EL120 sorozatú lineáris aktuátor igazoltan használható veszélyes helyszíneken. Minden egyéb, az eszközök szereléséhez használt felszerelésnek, például kábeleknak, kábeltömítéseknek, tömítőanyagoknak, biztosítékoknak stb. valamint a szerelési technikáknak meg kell felelniük a veszélyes helyszíneken történő használatra vonatkozó helyi előírásoknak.

Italian

Uso in luoghi pericolosi

L'attuatore lineare serie EL120 è certificato per l'utilizzo in luoghi pericolosi. Tutta l'apparecchiatura usata per installare i dispositivi, quali cavi, pressacavi, sigillanti, fusibili, ecc. e le tecniche di installazione devono essere conformi alle normative locali relative all'uso in luoghi pericolosi.

Latvian

Izmantošana lietošanai bīstamās vietās

EL 120 sērijas lineārā piedziņa ir atestēta lietošanai bīstamās vietās. Visam papildu aprīkojumam, ko lieto, lai uzstādītu ierīces, piemēram, kabeliem, kabeļu blīvslēgiem, blīvējumam, drošinātājiem u.c., un uzstādīšanas veidam jāatbilst vietējiem noteikumiem izmantošanai bīstamās vietās.

Lithuanian

Naudojimas pavojingose vietose

EL serijos linijinė pavara yra sertifikuota naudoti pavojingose vietose. Visa papildoma įranga, naudojama montuoti įtaisus, pavyzdžiui, laidai, kabeliai, rieboškiai, tarpinės, saugikliai ir pan., taip pat sumontavimo metodika, turi atitikti vietinius įstatymus, reglamentuojančius naudojimą pavojingose vietose.

Polish

Niebezpieczna lokalizacja użycia

Liniowe siłowniki serii EL120 posiadają certyfikat zezwalający na użytkowanie w niebezpiecznych lokalizacjach. Cały dodatkowy sprzęt stosowany do instalacji urządzeń, takich jak kable, dławiki kablowe, uszczelniacze, bezpieczniki, itp. oraz techniki instalacyjne powinny być zgodne z miejscowymi przepisami dotyczącymi użycia w niebezpiecznej lokalizacji.

Portuguese

Utilização em local perigoso

O actuador linear da série EL120 têm certificação para ser utilizado em locais perigosos. Todo o equipamento adicional utilizado para instalar os dispositivos, como por exemplo conectores de cabos, selantes, fusíveis, etc. e técnicas de instalação têm de estar em conformidade com os códigos locais relativamente à utilização em locais perigosos.

Romanian

Utilizarea în locație periculoasă

Actuatorul liniar al seriei EL120 este certificat pentru utilizarea în locații periculoase. Toate echipamentele suplimentare utilizate pentru instalarea dispozitivelor, precum cabluri, garnituri de etanșare a cablului, etanșări, siguranțe, etc. și tehnicile de instalare trebuie să fie în conformitate cu codurile locale referitoare la utilizarea în locații periculoase.

Slovak

Používanie na nebezpečných miestach

Lineárny spúšťač radu EL120 sa môže používať na nebezpečných miestach. Všetko ostatné príslušenstvo používané na inštaláciu týchto zariadení (napríklad káble, káblové priechodky, tesniace prípravky, poisťky ap.) a postupy inštalácie sa musia riadiť ustanoveniami miestnych predpisov, ktoré sa týkajú použitia v nebezpečnom prostredí.

Slovenian

Uporaba na nevarnem mestu

Linearno sprožilo serije EL120 je certificirano za uporabo na nevarnih mestih. Vsa dodatna oprema, ki se uporablja za namestitvev naprav, kot so kabli, kabelski vijačni spoji, tesnila, varovalke itd., in namestitvene tehnike morajo biti v skladu z lokalnimi pravilniki glede uporabe na nevarnih mestih.

Spanish

Uso en ubicaciones peligrosas

El accionador lineal de la serie EL120 está certificado para su uso en ubicaciones peligrosas. Todos los equipos adicionales utilizados para instalar los dispositivos, tales como cables, pasacables, sellador, fusibles, etc., así como las técnicas de instalación, deben ser conformes a las normativas locales sobre el uso en ubicaciones peligrosas.

Swedish

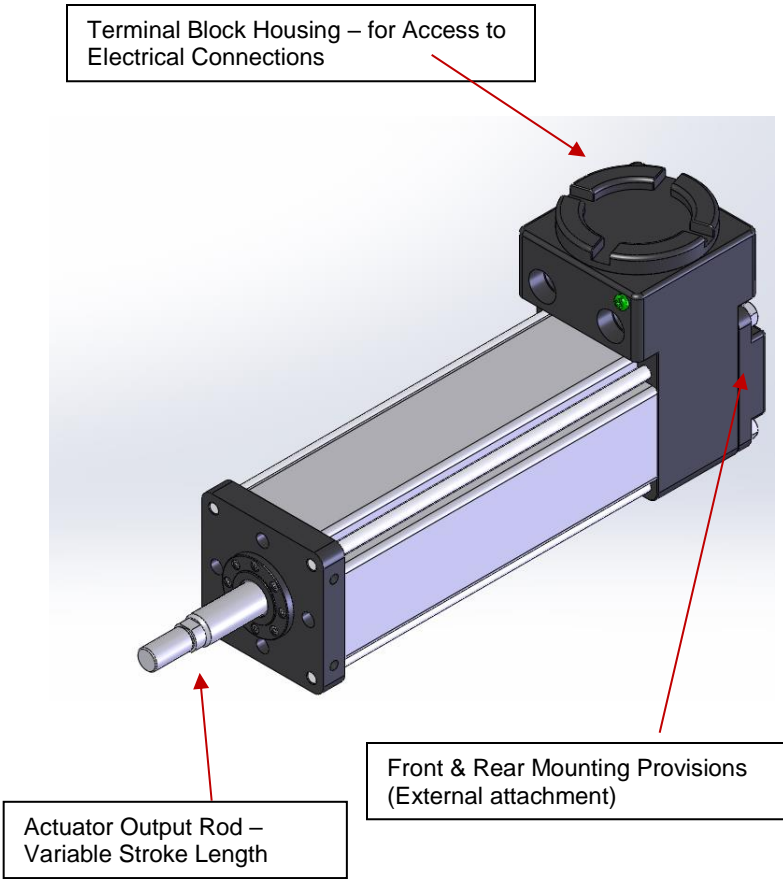
Användning i farlig miljö

EL120-seriens linjära manöverdon är godkänt för användning i farliga miljöer. All ytterligare utrustning som används för installation av anordningarna, som exempelvis kablar, kabelpackningar, tätningssmedel, säkringar, etc, och installationstekniker måste vara i överensstämmelse med lokala bestämmelser avseende farliga miljöer.

Actuator Description & Markings

The EL120 is a linear actuator incorporating a highly robust roller screw mechanism within the armature of a brushless servo motor. In addition, the EL120 series actuators are designed for use in hazardous locations; the product has been constructed to CSA standards, and certified by the appropriate agencies.

EL120 Series Actuator



PRODUCT MARKINGS

The EL120 has been certified for the following markings:



II 2G
Ex d IIB+H₂ T4 Gb

163694

Class I, Div 1, Group B, C, D, T4

SIRA 15ATEX1010X

Other Data Included with each label:

Manufacturer: Exlar Corporation

Voltage Rating: Rated for each motor configuration – (Range of 24 Vdc to 460 Vrms)

Current Rating: Rated for each motor configuration – (Maximum of 30 Arms)

Maximum Rated Force: Rated up to 4081 lbf (18kN)

Ambient Temperature Range: - 29 °C to + 93 °C

Part Number & Revision: Each unique configuration marked with 5 digit number and alpha character revision

Serial Number: Serial Number Includes Year & Week of Manufacture

Model Number: The EL120 model numbers define the construction or configuration of subject actuator. The model number information is included on each actuator label.

Special Conditions for Safe Use (denoted by X after the certificate number)

1. At the cable entry point the surface temperature may reach up to 125°C, therefore, supply cable and tries shall be selected accordingly.
2. Due to the requirements of clause 5.1 of EN 60079-1:2007, it shall be pointed out that the joint dimensions of the flameproof enclosure deviate from the values in tabulated in EN 60079-1. The only component that is allowed to be maintained is the removal of the gland assembly for re-greasing as defined in the User Manual. As this is the only joint allowed for maintenance the joint dimensions are detailed as follows:

Joint	Design Gap Maximum	Design Length (min)
Gland Assembly/Face Plate	0.033 mm	30.0 mm

3. Special Fasteners Yield Strength:

(4X) Tie Rod 800 Mpa	(4X) Tie Rod Washer 500 Mpa	(4X) Tie Rod Nut 700 Mpa
(8X) Face Plate 700 Mpa	(4X) Manual Drive Shaft Housing 695 Mpa	

WARNING



English

Special Conditions for Safe Use:

(denoted by X after certificate number)

At the cable entry point the surface temperature may reach up to 125°C, therefore supply cable and entries shall be selected accordingly.

The maximum voltage and current ratings marked on the equipment shall not be exceeded.

In accordance with clause 5.1 of EN 60079-1: 200, any maintenance of the critical dimensions of the flame paths shall not be undertaken without seeking guidance from the manufacturer of the equipment.

Bulgarian

Специални условия за безопасна употреба: (обозначени с X след номера на сертификата)

В мястото на влизане на кабела температурата на повърхността може да достигне до 125°C, следователно, захранващия кабел и входовете трябва да се избират в съответствие с това.

Номиналните стойности на максималното напрежение и ток, обозначени върху оборудването, не трябва да се превишават.

Съгласно клауза 5.1 на EN 60079-1: 2007, не трябва да се предприема никаква поддръжка на критичните размери на най-късия път между вътрешната и външна страна на корпуса, без да се потърсят указания от производителя на оборудването.

Croatian

Posebni uvjeti za sigurnu primjenu: (oznaka X nakon broja certifikata)

Na ulaznoj točki kabela temperatura površine može dostići do 125 °C, stoga je potrebno odabrati odgovarajuće kabele za napajanje i ulazne točke.

Ne smiju se prekoračiti maksimalni nazivni napon i struja navedeni na opremi.

U skladu s t. 5.1 norme EN 60079-1: 2007, ne smije se poduzimati nikakvo održavanje kritičnih dimenzija protupožarih otvora bez prethodnog odobrenja proizvođača opreme.

Czech

Speciální podmínky pro bezpečné použití: (označeno X za číslem certifikátu)

V místě vstupu kabelu může povrchová teplota dosáhnout až 125 °C, proto je třeba odpovídajícím způsobem vybrat napájecí kabel a vstup.

Maximální jmenovité napětí a proud vyznačené na zařízení nesmí být překročeny.

V souladu s článkem 5.1 normy EN 60079-1: 2007 se žádná úprava kritických rozměrů cesty plamene nesmí provádět bez získání pokynů od výrobce zařízení.

Danish

Særlige betingelser for sikker anvendelse: (angivet med X efter certifikatnummeret)

Temperaturen ved kabelindgangen kan nå op på 125 °C, og forsyningskabler og indgange skal derfor vælges derefter.

De maksimale spændings- og strømværdier, der er angivet på udstyret, må ikke overskrides.

I henhold til paragraf 5.1 i EN 60079-1: 2007 må vedligeholdelse af flammevejenes kritiske dimensioner ikke foretages, uden at der søges vejledning hos udstyrets producent.

Dutch

Speciale voorwaarden voor veilig gebruik: (worden aangegeven met X achter het certificaatnummer)

Bij het ingangspunt van de slang kan de temperatuur 125°C bedragen, daarom moeten de aanvoerslang en de ingangen dienovereenkomstig worden geselecteerd.

Het maximumvoltage en het nominale stroombereik die op de apparatuur zijn aangegeven, mogen niet worden overschreden.

Conform artikel 5.1 van EN 60079-1: 2007 mag geen onderhoud van de kritieke afmetingen van de vlambanen plaatsvinden zonder advies in te winnen van de fabrikant van de apparatuur.

Estonian

Erinõuded ohutuks kasutamiseks: (näidatud X poolt peale sertifikaadi numbrit)

Kaabli sisenemispunktis võib pinnatemperatuur tõusta väärtuseni kuni 125 °C, seetõttu tuleb toitekaabel ja sisend vastavalt sellele temperatuurile valida.

Seadmele märgitud pinge ja voolu maksimaalväärtusi ei tohi ületada.

Vastavalt standardi EN 60079-1:2007 lõikele 5.1 ei tohi leegi teekonna kriitilisi mõõtmeid hoida ilma seadme tootja poolt antud juhisteta.

French

Conditions spéciales pour une utilisation sûre : (signalées par X après le numéro de certificat)

Au point d'entrée des câbles, la température peut atteindre 125°C ; il faut donc sélectionner les câbles et les entrées en conséquence.

Les valeurs nominales maximales de tension et de courant inscrites sur les équipements ne doivent pas être dépassées.

Conformément à la clause 5.1 de la norme EN 60079-1: 2007, aucune opération de maintenance des dimensions critiques des trajectoires de flammes ne doit être entreprise sans avoir préalablement demandé conseil au fabricant des équipements.

German

Sonderbedingungen zum sicheren Gebrauch: (durch ein X nach der Zertifizierungsnummer gekennzeichnet)

Am Kabeleingang kann die Oberflächentemperatur bis zu 125 °C erreichen.

Dementsprechend sind Zuführungskabel und Eingänge auszuwählen.

Die an dem Gerät angegebene Höchstspannung und Stromstärke ist nicht zu überschreiten.

Gemäß Bestimmung 5.1 von EN 60079-1: 2007 darf keine Wartung im Bereich der kritischen Abmessungen der Flammenwege vorgenommen werden, ohne den Hersteller des Geräts um Rat zu fragen.

Greek

Ειδικές συνθήκες για ασφαλή χρήση: (συμβολίζονται με το X μετά τον αριθμό πιστοποιητικού)

Στο σημείο εισόδου του καλωδίου, η θερμοκρασία επιφάνειας μπορεί να φτάσει έως και τους 125 οC, επομένως, το καλώδιο τροφοδοσίας και οι καταχωρήσεις πρέπει να επιλέγονται αναλόγως.

Δεν πρέπει να γίνεται υπέρβαση της μέγιστης τάσης και των ονομαστικών τιμών ρεύματος που αναγράφονται πάνω στον εξοπλισμό.

Σύμφωνα με το άρθρο 5.1 του προτύπου EN 60079-1: 2007, η οποιαδήποτε συντήρηση των κρίσιμων διαστάσεων των διαδρομών της φλόγας δεν πρέπει να πραγματοποιείται χωρίς να ζητήσετε καθοδήγηση από τον κατασκευαστή του εξοπλισμού.

Hungarian

A biztonságos használat speciális feltételei: (X jelzi a tanúsítási szám után)

A kábel bevezetési helyén a felületi hőmérséklet a 125 °C-t is elérheti, ezért a tápkábel és a csatlakozásokat ennek megfelelően kell kiválasztani.

A készüléken jelölt maximális névleges feszültség- és áramerősség-értékeket nem szabad túllépní.

Az EN 60079-1: 2007 szabvány 5.1-es pontjának megfelelően a lángutak kritikus méreteinek bármilyen betartása kizárólag a készülék gyártójának útmutatása alapján történhet.

Italian

Condizioni speciali per garantire la sicurezza d'uso: (connotate da una X posta dopo il numero del certificato)

Nel punto d'ingresso del cavo, la temperatura di superficie può raggiungere fino a 125°C, il cavo e gli ingressi di alimentazione devono essere selezionati in modo da tenerne conto.

La tensione massima e i valori di corrente contrassegnati sull'attrezzatura non devono essere superati.

In accordo con la clausola 5.1 della norma EN 60079-1: 2007, qualsiasi intervento di manutenzione delle dimensioni critiche del percorso di fiamma non deve essere intrapresa senza previa consultazione del produttore dell'attrezzatura.

Latvian

Īpaši noteikumi drošai lietošanai: (apzīmēti ar X pēc sertifikāta numura)

Kabeļa ieejas vietā virsmas temperatūra var sasniegt līdz 125 °C, tāpēc ir jāatlasa atbilstošs barošanas kabelis un ievades.

Nedrīkst pārsniegt maksimālos sprieguma un strāvas lielumus, kas norādīti uz ierīces.

Saskaņā ar standarta EN 60079-1: 2007 noteikumu 5.1, jebkuru liesmas ceļu kritisko dimensiju uzturēšanu darba kārtībā nedrīkst veikt bez norādījumu pieprasīšanas no ierīces ražotāja.

Lithuanian

Specialiosios saugaus naudojimo sąlygos: (pažymėtos X po sertifikato numerio)

Kabelio įvesties taške paviršiaus temperatūra gali pakilti iki 125 °C, todėl reikia pasirinkti atitinkamus maitinimo kabelį ir įvadus.

Negalima naudoti didesnės įtampos ir srovės nei ant įrenginio nurodyti vardiniai dydžiai.

Vadovaujantis EN 60079-1: 2007 standarto 5.1 išlyga, negalima atlikti jokių svarbių liepsnos kanalų priežiūros darbų be įrenginio gamintojo konsultacijos.

Polish

Specjalne warunki bezpiecznego użytkowania: (oznaczone X po numerze certyfikatu)

W punkcie podłączenia kabla temperatura powierzchni może osiągnąć do 125°C, dlatego też kabel zasilania oraz wejścia należy odpowiednio dobrać.

Nie należy przekraczać maksymalnego napięcia oraz wartości znamionowych prądu oznaczonych na sprzęcie.

Zgodnie z punktem 5.1 standardu EN 60079-1: 2007, każdą konserwację ważnych przestrzeni ścieżek płomieni należy wykonywać zgodnie z wytycznymi producenta sprzętu.

Portuguese

Condições especiais para uma utilização em segurança: (dadas por um X depois do número do certificado)

No ponto de entrada do cabo a temperatura à superfície pode atingir os 125° C, por isso, serão seleccionados cabos de fornecimento e entradas em conformidade.

A tensão nominal e corrente nominal máximas assinaladas no equipamento não podem ser excedidas.

Em conformidade com a cláusula 5.1 da EN 60079-1: 2007, não podem ser realizados quaisquer trabalhos de manutenção nas dimensões críticas das vias anti-chama sem obter orientações do fabricante do equipamento.

Romanian

Condiții Speciale pentru utilizarea sigură: (specificate de X după numărul certificatului)

La punctul de intrare a cablului, temperatura suprafeței poate atinge 125°C, prin urmare, cablul de alimentare și intrările trebuie selectate în mod corespunzător.

Tensiunea maximă și valorile de referință pentru curent marcate pe echipament nu trebuie depășite.

În conformitate cu clauza 5.1 a EN 60079-1: 2007, orice întreținere a dimensiunilor critice ale căilor flăcărilor nu trebuie întreprinsă fără a solicita instrucțiuni de la producătorul echipamentului.

Slovak

Osobitné podmienky bezpečného používania: (označené X za číslom certifikátu)

Teplota povrchu na vstupe kábla môže dosiahnuť až 125°C, preto je potrebné vhodne zvoliť napájací kábel a vstupy.

Maximálne hodnoty napätia a prúdu vyznačené na zariadení sa nesmú prekročiť.

V súlade s odsekom 5.1 normy EN 60079-1: 2007 je zakázané vykonávať údržbu dôležitých rozmerov dráhy plameňa bez usmernenia zo strany výrobcu zariadenia.

Slovenian

Posebni pogoji za varno uporabo: (označeni so z X na koncu številke certifikata)

Na območju vhoda kabela lahko temperatura na površini doseže do 125°C, zato morate izbrati ustrezen napajalni kabel in opremo priklopa.

Maksimalne napetosti in tokov, označenih na opremi, ni dovoljeno prekoračiti.

Pred katerikoli vzdrževanjem na območju kritičnih dimenzij poti plamena, določenih v členu 5.1 standarda EN 60079-1: 2007, morate pridobiti ustrezna navodila proizvajalca opreme.

Spanish

Condiciones especiales para uso seguro: (denotados por X después de número de certificado)

En el punto de entrada del cable de la temperatura de la superficie puede alcanzar hasta 125 ° C, por lo tanto, se deberá elegir el cable de alimentación y las entradas en consecuencia.

Los valores máximos de tensión y corriente marcados en el equipo no se excederán.

De conformidad con la cláusula 5.1 de la norma EN 60079-1: 2007, cualquier mantenimiento de las dimensiones críticas de las sendas de llama no podrá realizarse sin buscar la orientación de la fabricación de los equipos.

Swedish

Speciella villkor för säker användning: (markerade med X efter certifikatsnumret)

Vid kabelingången kan yttemperaturen nå upp till 125 ° C, välj därför kablar och kontakter i enlighet därmed.

Den maximala spänningen och strömstyrkan som finns angivna på utrustningen får inte överskridas.

I enlighet med klausul 5.1 i EN 60079-1: 2007, ska kritiskt underhåll av flamvägarna inte utföras utan vägledning från utrustningens tillverkare.

IECEX

Ex d IIB+H₂ T4 Gb

IECEX CSA 14.0014X

Conditions of Certification

Specific Conditions of Use (EL120)

1. At the cable entry point the surface temperature may reach up to 125°C, therefore, supply cable and tries shall be selected accordingly.
2. The maximum voltage and current ratings on the equipment shall not be exceeded.
3. Due to the requirements of clause 5.1 of EN 60079-1:2007, it shall be pointed out that the joint dimensions of the flameproof enclosure deviate from the values in tabulated in EN 60079-1. The only component that is allowed to be maintained is the removal of the gland assembly for re-greasing as defined in the User Manual. As this is the only join allowed for maintenance the joint dimensions are detailed as follows:

Joint	Design Gap Maximum	Design Length (min)
Gland Assembly/Face Plate	0.033 mm	30.0 mm

4. Special Fastners Yield Strength:

(4X) Tie Rod 800 Mpa	(4X) Tie Rod Washer 500 Mpa	(4X) Tie Rod Nut 700 Mpa
(8X) Face Plate 700 Mpa	(4X) Manual Drive Shaft Housing 695 Mpa	

Note: The only maintenance component allowed is the removal of the gland assembly for re-greasing as defined in User Manual hence see item 3.

Actuator Model Designation
EL120-BBCC-DEF-GGG-HHH-II-(XX.XX)-#####
BB = Stroke Length (18" Max)
04 in
06 in
08 in
10 in
12 in
18 in
CC = Roller Screw Lead (Linear Travel per Screw Revolution)
01 = 0.1 in/rev (2.54 mm/rev)
02 = 0.2 in/rev (5.08 mm/rev)
05 = 0.5 in/rev (12.7 mm/rev)
08 = 0.8 in/rev (20.3 mm/rev)
D = Connections
F = Two 3/4" NPT Ports - Front Facing (As Viewed from Shaft End)
B = Two 3/4" NPT Ports - Back Facing (As Viewed from Shaft End)
R = Two 3/4" NPT Ports - Right Facing (As Viewed from Shaft End)
L = Two 3/4" NPT Ports - Left Facing (As Viewed from Shaft End)
E = Mounting
F = Standard Front Flange
R = Standard Rear Flange
N = Threaded Front & Rear Face, Metric
H = Threaded Front & Rear Face, English
G = Metric Rear Clevis
C = English Rear Clevis
J = Metric Rear Eye
K = English Rear Eye
F = Rod End
M = Male, US Standard Thread
A = Male, Metric Thread
F = Female, US Standard Thread
B = Female, Metric Thread

GGG = Controller Feedback Option
Three character code designating a Controller that uses one of the following Resolver, Standard Encoder, Absolute Encoder The Controller also will designate whether Thermal Protection is performed With a Thermik Normally Closed Switch; or a Philips KTY84 Series Thermister
H = Motor Stator
1 = 1 Stack Motor
2 = 2 Stack Motor
3 = 3 Stack Motor
I = Rated Voltage
1 = 115 Volt RMS
3 = 230 Volt RMS
5 = 400 Volt RMS
6 = 460 Volt RMS
H = Motor Poles
8 = 8 Pole Motor
II = Rated Motor Speed at Rated Voltage (4500 RPM Max)
01 – 45 Two Digit Number x 100 = Rated RPM
MM = Mechanical Option
AR = External Anti-Rotate Assembly
RB = Rear Brake

INSTALLATION

Mechanical Installation

Lubrication

EL series actuators are shipped from the factory fully greased and ready for installation. Exlar's standard grease is Mobil SHC 220, which is a high performance, extreme-pressure grease. SHC 220 is adequate for a broad range of applications. In the case of extreme temperatures, Exlar recommends using Mobilgrease 28, also a high performance, extreme-pressure grease. The unique physical properties of the synthetic base oil provide outstanding protection against wear, rust, corrosion, and high or low-temperature degradation. Mobilgrease 28 allows for very low starting and running torque values. Its operating range is -55 to 180 °C (-67 to 356 °F).

Other lubricants can be used as well and all special grease can be specified via the "XL" designation in the Options portion of the model mask with the appropriate product identified with Exlar Application engineering at the time of order.

Mounting Configurations

The actuator have provisions for front face, rear face, front flange, rear eye, or rear clevis mounting. Every effort should be made to minimize misalignment. Any misalignment will decrease the life of the components within the actuator and also may create problems within the application associated with misalignment.

See an Exlar catalog or Exlar Supplied mounting drawing for the specific mounting dimensions required for your configuration.

CAUTION



English

Excessive side load on the output rod of the actuator will dramatically reduce the life of the actuator and should be avoided completely. Side load can be caused from misalignment or loading that is not in-line with the actuator output rod.

Bulgarian

Прекомерното странично натоварване на изходния лост на активатора съществено ще намали полезния живот на активатора и трябва да се избягва. Странично натоварване може да бъде причинено от лошо подравняване или натоварване, което не е в една линия с изходния лост на активатора.

Croatian

Prekomjerno bočno opterećenje izlazne šipke aktuatora značajno smanjuje njegov vijek trajanja i potrebno ga je potpuno izbjegavati. Bočno opterećenje može biti posljedica nepravilnosti ili opterećenja koje nije u skladu s izlaznom šipkom aktuatora.

Czech

Nadměrné boční zatížení na výstupním elementu aktuátoru výrazně snižuje jeho životnost a musí být zcela odstraněno. Boční zatížení může být způsobeno chybným, nesouořadným uspořádáním nebo zatížením, které není souběžné s orientací výstupního elementu aktuátoru.

Danish

Overdreven sidebelastning af aktuatorens udgangsstang vil nedsætte aktuatorens levetid drastisk og bør helt undgås. Sidebelastning kan opstå som følge af forkert justering eller belastning, der er forskudt i forhold til aktuatorens udgangsstang.

Dutch

Door bovenmatige zijbelasting op de uitgaande stang van de actuator wordt de levensduur van de actuator drastische verkort en dit moet dan ook altijd vermeden worden. Door zijbelasting kan foutieve uitlijning tot gevolg hebben of een lading niet in lijn is met de uitgaande stang van de actuator.

Estonian

Täituri väljundvardale mõjuv külgsuunaline koormus alandab tunduvalt täituri tööiga ja kõik seda põhjustavad jõud tuleb kõrvaldada. Külgsuunaline koormus võib olla põhjustatud mittesamatelgusesest või jõust, mis ei mõju väljundvarda telje suunas.

French

Une charge latérale excessive sur la tige de sortie de l'actionneur réduit considérablement la durée de vie de l'actionneur et doit être évitée à tout moment. Une charge latérale peut être causée par un mauvais alignement ou une charge qui n'est pas en ligne avec la tige de sortie de l'actionneur.

German

Übermäßige Seitenlast auf die Ausgangsstange des Auslösers kann die Lebensdauer des Auslösers dramatisch senken und sollte vollständig vermieden werden. Eine Seitenlast kann durch schlechte Justierung oder Belastung verursacht werden, die anders ausgerichtet ist als die Ausgangsstange des Auslösers.

Greek

Το υπερβολικό πλευρικό φορτίο στη ράβδο εξόδου του μηχανισμού κίνησης θα μειώσει σημαντικά τη διάρκεια ζωής του μηχανισμού κίνησης και θα πρέπει να αποφεύγεται εντελώς. Το πλευρικό φορτίο μπορεί να προκληθεί από την εσφαλμένη ευθυγράμμιση ή φόρτωση που δεν είναι ευθύγραμμη με τη ράβδο εξόδου του μηχανισμού κίνησης.

Hungarian

Az aktuátor kimeneti rúdjaára kifejtett túlzott oldalirányú terhelés drámaian lecsökkenti az aktuátor élettartamát, és a leghatározottabban el kell kerülni. Oldalirányú terhelést okozhat a helytelen illesztés, és az aktuátor kimeneti rúdjával nem egy tengelybe eső terhelés.

Italian

Un carico laterale eccessivo sulla barra di uscita dell'attuatore potrebbe ridurre drasticamente la sua durata e va quindi assolutamente evitato. Il carico laterale potrebbe essere dovuto a un disallineamento o a un carico che non è allineato con la barra di uscita dell'attuatore.

Latvian

Jāizvairās no pārāk lielas sānu slodzes uz piedziņas izvada stieni, kas ievērojami samazina piedziņas mūžu. Sānu slodze var rasties no asu nesakrītības vai slodzes, kas nesakrīt ar piedziņas izvada stienja asi.

Lithuanian

Pernelyg didelė šoninė pavaros išvado strypo apkrova gali smarkiai sumažinti pavaros naudojimo trukmę, todėl jos reikia visiškai vengti. Šoninė apkrova gali susidaryti dėl netinkamo išlyginimo ar apkrovos, kuri nėra vienoje linijoje su pavaros išvado strypu.

Polish

Nadmierne obciążenie boczne pręta wyjściowego siłownika znacznie zredukuje jego żywotność i należy go całkowicie unikać. Obciążenie boczne może być spowodowane niewłaściwym wyrównaniem lub obciążeniem, które nie znajduje się w linii z prętem wyjściowym siłownika.

Portuguese

Uma carga lateral excessiva na vareta de saída do actuador irá reduzir drasticamente a vida do actuador e deve ser completamente evitada. A carga lateral pode ser provocada por um desalinhamento ou carregamento que não estão de acordo com a vareta de saída do actuador.

Romanian

Sarcina laterală excesivă pe bara de ieșire a actuatorului va reduce în mod dramatic durata de viață a actuatorului și trebuie evitată complet. Sarcina laterală poate fi cauzată de alinierea incorectă sau de sarcina care nu este în linie cu bara de ieșire a actuatorului.

Slovak

Nadmerné bočné zaťaženie výtlačnej ojnice spúšťača výrazne skracuje životnosť spúšťača. Vyhňte sa nadmernému zaťaženiu výtlačnej ojnice spúšťača. Bočné zaťaženie môže byť spôsobené nesprávnym zarovnaním alebo zaťažením, ktoré vykazuje nesúlad s výtlačnou ojniciou spúšťača.

Slovenian

Prekomerna stranska obremenitev izhodnega droga sprožila bo močno zmanjšala življenjsko dobo sprožila, zato jo je treba v celoti preprečiti. Stranska obremenitev se lahko pojavi pri neporavnosti ali obremenitvi, ki ni poravnana z izhodnim drogom sprožila.

Spanish

Un carga lateral excesiva en la barra de salida del accionador reducirá drásticamente la vida útil del accionador y debe evitarse por completo. La carga lateral puede aparecer como consecuencia de una desalineación o de que la carga no esté en línea con la barra de salida del accionador.

Swedish

Överdriven sidoblastning på manöverdonets utgående stång kommer att dramatiskt förkorta manöverdonets livslängd och bör helt undvikas. Sidoblastning kan orsakas av obalans eller belastning som inte ligger i linje med manöverdonets utgående stång.

CAUTION



English

Care should be taken not to exceed the physical travel limits of actuator. Doing so will cause the actuator to end-crash internally. End crashes can physically damage the roller screw and the internal components of the actuator.

Bulgarian

Трябва да се внимава да не се превишават физическите ограничения за път на активатора. Това ще накара края на активатора да се счупи вътрешно. Счупвания на края могат физически да повредят ролковия винт и вътрешните компоненти на активатора.

Croatian

Potrebno je pripaziti kako se ne bi prekoračila fizička ograničenja kretanja aktuatora. Time bi se se mogao prouzročiti unutarnji lom aktuatora. U slučaju unutarnjeg loma mogu se fizički oštetiti vijak i unutarnje komponente aktuatora.

Czech

Musí se dbát na to, aby nedošlo k překročení fyzických omezení rozsahu pohybu aktuátoru. Jinak to může vést k narážení hran součástí uvnitř aktuátoru. Narážení hran může fyzicky poškodit závit a vnitřní součásti aktuátoru.

Danish

Vær omhyggelig med ikke at overskride aktuatorens fysiske bevægelsesgrænse. Dette vil forårsage et sammenstød indvendigt i enden af aktuatoren. Sådanne sammenstød kan beskadige spindlen og aktuatorens indvendige dele.

Dutch

Let op dat de fysieke slagbegrenzing niet overschreden wordt. Als dit wel gebeurd, zal de actuator intern tegen het einde botsen. Daardoor kunnen de schroef en interne onderdelen van de actuator beschadigd raken.

Estonian

Tuleb kontrollida, et ei ületataks täituri füüsiliste piirajatega määratud liikumisteedkonna pikkust. Muidu võib tekkida täituri siseosade purunemise oht. Põrkumine vastu piirajat võib põhjustada veerekehadega käigukruvi ja täituri siseosade füüsilise vigastumise.

French

Veillez à ne pas dépasser les limites de voyage physique de l'actionneur. Un dépassement des limites provoquera une panne interne de l'actionneur. Les pannes peuvent endommager physiquement la vis à rouleaux et les composants internes de l'actionneur.

German

Es muss darauf geachtet werden, dass die physische Bewegungsgrenze des Auslösers nicht überschritten wird. Dadurch wird der Auslöser intern ans Ende anschlagen. Durch das Anschlagen an das Ende werden das Rollengewinde und die internen Bestandteile des Auslösers physisch beschädigt.

Greek

Προσέξτε να μην υπερβείτε τα φυσικά όρια διαδρομής του μηχανισμού κίνησης. Αν γίνει κάτι τέτοιο, θα προκληθεί εσωτερική ολική βλάβη στο μηχανισμό κίνησης. Οι ολικές βλάβες μπορούν να βλάψουν εξωτερικά τη βίδα του κυλίνδρου και τα εσωτερικά στοιχεία του μηχανισμού κίνησης.

Hungarian

Óvatosan kell eljáráni, hogy az aktuátor mozgástartományának fizikai határait ne lépje túl. Ha túllépi, akkor az aktuátor belső törést szenved. A belső törés fizikailag károsíthatja a görgősorsót és az aktuátor belső részegységeit.

Italian

Fare attenzione a non superare i limiti fisici di corsa dell'attuatore. Ciò potrebbe causare la rottura interna dell'attuatore. Le rotture interne possono danneggiare fisicamente la vite a sfera e i componenti interni dell'attuatore.

Latvian

Jāuzmanās, lai nepārsniegtu fiziskā piedziņas gājiena ierobežojumu. Tādā gadījumā piedziņa tiks iznīcināta iekšēja sabrukuma dēļ. Iekšējs sabrukums var fiziski sabojāt piedziņas veltnīša skrūvi un iekšējās detaļas.

Lithuanian

Būtinya imtis atsargumo priemonių, kad nebūtų viršyti fizinės pavaros eigos apribojimai. Jei nesiimsite šių priemonių, pavaros galai gali sulūžti iš vidaus. Pavaros galų lūžiai gali apgadinti sukamojo cilindro varžtą ir vidinius pavaros komponentus.

Polish

Należy zwrócić uwagę, aby nie przekraczać fizycznych limitów przenieszenia siłownika. Może to spowodować wewnętrzne pęknięcia końców siłownika. Pęknięcia końców mogą fizycznie uszkodzić śrubę rolki i wewnętrzne komponenty siłownika.

Portuguese

Deverá ter-se cuidado para não se exceder os limites físicos de curso do actuador. Se o fizer, o actuador irá ter um choque interno contra o batente. Os choques contra o batente podem danificar fisicamente o parafuso do rolo e os componentes internos do actuador.

Romanian

Trebuie să aveți grijă să nu depășiți limitele fizice de cursă ale actuatorului. Dacă acest lucru se întâmplă, actuatorul va suferi o defectare internă de capăt. Defectările de capăt pot deteriora fizic șurubul cu role și componentele interne ale actuatorului.

Slovak

Dbajte na to, aby sa neprekračovali fyzické limity dráhy pohybu spúšťača. V opačnom prípade bude spúšťač vnútorne zlyhať na konci dráhy pohybu. Zlyhania na konci dráhy pohybu môžu fyzicky poškodiť valcovú skrutku a vnútorné súčasti spúšťača.

Slovenian

Pazite, da ne prekoračite fizičnih potovalnih omejitev sprožila, ker se lahko drugače sprožilo interno zruši. Pri tem lahko pride do fizičnih poškodb valjčnega vijaka in notranjih komponent sprožila.

Spanish

Se debe tener cuidado de no sobrepasar los límites de recorrido físico del accionador. Si lo hace, el accionador podría sufrir una colisión interna. Las colisiones internas podrían dañar físicamente el tornillo rodante y los componentes internos del accionador.

Swedish

Var noga med att inte överskrida manöverdonets fysiska rörelsegräns. Manöverdonet kommer i så fall att gå sönder i ändläget. Detta kan fysiskt skada rullskruven och manöverdonets interna komponenter.

General Operation

The EL120 series of actuators function in the same manner as a brushless servomotor. The EL120 actuator must be connected to a servo drive controller to properly commutate the motor and control the torque, speed and position of the actuator. This rotary motion is translated into linear motion by the internal planetary roller screw mechanism of the EL series linear actuator. The rotary motion of the motor and the linear motion of the actuator correspond to the following relationships:

Linear Distance Traveled [in] = Motor Revolutions × Roller Screw Lead [in/rev]

Linear Speed [in/sec] = $\frac{\text{Motor Speed [RPM]}}{60} \times \text{Roller Screw Lead [in/rev]}$

Linear Force [lbf] = $\frac{\text{Motor Torque [in - lbf]} \times 2\pi \times \text{Efficiency}}{\text{Roller Screw Lead [in/rev]}}$

All of the above relationships require proper anti-rotation of the EL series actuator rod. The unique design of the EL series linear actuators allows the extending rod to rotate. This simplifies the setup of the actuator by allowing the user to rotate the rod and thread it in and out of the actuator for mechanical attachment or system testing.

This feature also requires that the rod be kept from rotating when used in its dedicated application to insure proper linear motion. In most applications, such as those where the load is coupled to linear bearings or some other support device, the load cannot rotate, providing anti-rotation for the extending rod of the actuator.

For applications in which the load is free to rotate, Exlar offers anti-rotation systems. Contact Exlar engineering if the application requires a dedicated anti-rotation system.



Motor RMS current must be maintained at a level below the continuous current rating of the EL Series actuator or damage to the motor stator will result.

The peak current setting must be maintained at a level below the peak current rating of the EL Series actuator or damage to the stator will result.

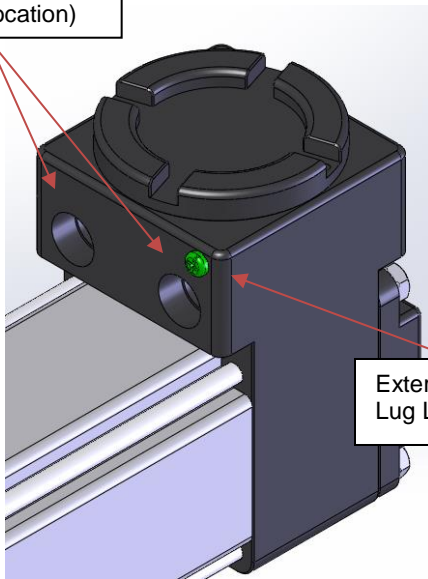
Electrical Installation

Introduction

The actuator and a controller combine to provide a complete motion control system. The electrical to mechanical power conversion and position feedback devices are contained in the actuator.

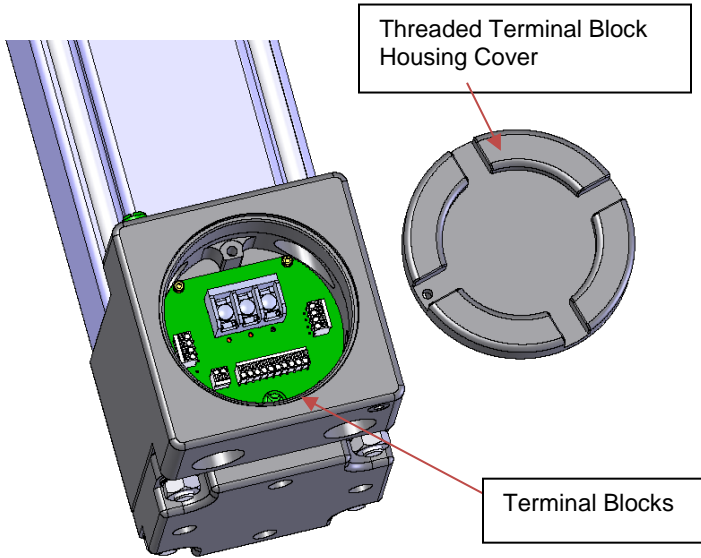
Connections to the actuator are made via the $\frac{3}{4}$ " NPT ports. Normally one port is used to provide access to the power wiring of the motor phases, the other port used to provide access to the feedback wiring.

$\frac{3}{4}$ " NPT Ports
(Configurable Location)



External Ground
Lug Location

See diagram below for an example of terminal box connections. When the threaded cover is removed, the installer can have access to the wiring connections.



To properly secure the enclosure, conduit entries must be sealed according to CSA requirements within 18 inches of the actuator.

After making the internal wiring connections, the threaded cover must be screwed down until the cover flange is fully stopped against the top surface of the terminal housing. Once the cover is fully screwed down, tighten the set screw in the cover against the housing to a torque of 10-25 in*lbs (1-3 Nm).

Grounding

WARNING



English Grounding

Fixed Protective Earth (PE) connections are required for human safety as well as proper operation. PE connections must not be fused or interrupted. Failure to follow proper PE wiring can cause death or serious injury. This equipment has high earth leakage current and requires a redundant PE connection.

A PE Connection is made (as marked) inside the terminal housing as indicated in the wiring diagram. There is also an external lug provided adjacent to the ¼" NPT ports for connection of an external PE connection.

Bulgarian

Заземяване

Свързвания към фиксирано защитно заземяване (PE) са необходими за безопасност на хората, както и за добро функциониране. Свързванията към защитното заземяване (PE) не трябва да имат предпазители или да се прекъсват. Неспазването на правилата за PE свързване може да причини смърт или сериозно нараняване.

Тази апаратура има висок ток на утечка към заземяването и налага резервно свързване към защитното заземяване (PE).

Свързване към защитното заземяване (PE) се прави (както е показано) в терминалната кутия, според обозначеното в диаграмата за свързванията по-горе. Освен това има и външен извод в съседство с 1,9 cm (3/4") NPT портове за свързване на външна PE връзка.

Croatian Uzemljenje

Fiksni spojevi zaštitnog uzemljenja (PE) potrebni su radi sigurnosti ljudi, kao i radi osiguravanja pravilnog rada. Na zaštitno uzemljenje ne smiju se postavljati osigurači ili prekidači. U slučaju nepoštovanja pravilnog ožičenja zaštitnog uzemljenja može doći do smrti ili teških ozljeda. Ova oprema sadrži visoko propuštanje struje i zahtijeva redundantno spajanje zaštitnog uzemljenja.

Priključak zaštitnog uzemljenja izvodi se (prema oznakama) u razvodnoj kutiji kao što je prikazano na gornjem dijagramu ožičenja. Postoji i vanjska stopica koja se izvodi u blizini 1.9 cm (3/4") NPT ulaza za priključivanje vanjskog zaštitnog uzemljenja.

Czech

Uzemnění

Ochranné uzemnění (PE) s pevnými spoji se vyžaduje pro bezpečnost lidí a správné fungování. Spoje PE nesmí obsahovat pojistky a nesmí být přerušeny. Nedodržení správných spojů PE může způsobit smrt nebo vážné zranění. Toto zařízení má vysoký unikající zemní proud a vyžaduje redundantní spojení PE.

Spojení PE se vytváří (jak je označeno) uvnitř připojovací skříně tak, jak je naznačeno ve výše uvedeném schématu zapojení. Navíc se v blízkosti 1,9 cm (3/4") NPT portu nachází vnější přípojka pro připojení vnějšího spoje PE.

Danish

Jording

Faste beskyttelseslederforbindelser (PE) er påkrævet af hensyn til både personsikkerhed og korrekt drift. PE-forbindelser må ikke forsynes med sikringer eller afbrydes. Manglende overholdelse af korrekt PE-ledningsføring kan medføre dødsfald eller alvorlig personskade. Dette udstyr har en høj jordlækstrøm og kræver en ekstra PE-forbindelse.

En PE-forbindelse fremstilles (som markeret) inden i terminalboksen som vist i ovenstående strømskema. Der sidder også en ekstern lap ved siden af 1,9 cm (3/4") NPT-portene til tilslutning af en ekstern PE-forbindelse.

Dutch

Aarding

Aansluitingen op een vaste aardleiding (PE) zijn vereist ter de bescherming van personen mensen en voor een goede werking. PE-verbindingen mogen niet gefuseerd of onderbroken worden. Het gebruik van onjuiste PE-bedrading kan overlijden of ernstig letsel tot gevolg hebben. Deze apparatuur heeft een grote aardlekstroom en vereist een redundante PE-aansluiting.

Een PE-verbinding wordt aangesloten (zoals gemarkeerd) in de aansluitkast zoals aangegeven in het schakelschema hierboven. Naast de 1,9 cm (3/4") poorten bevindt zich ook een extern aansluitpunt voor aansluiting van een externe PE-verbinding.

Estonian

Maandus

Isikukaitse ja seadme nõuetekohase töötamise tagamiseks on nõutud kohtkindel kaitsemaandus (PE). PE ühendusahelas ei tohi olla kaitseeadmeid ja seda ei tohi olla võimalik katkestada. PE-juhistikule kehtestatud nõuete eiramine võib põhjustada surma või raske kehavigastuse. Sellel seadmel on suure tugevusega lekkevool, mis nõuab täiendavat PE-ühendust.

PE-ühendus on klemmkarbis ühendatud (tähistatud) nagu esitatud ülaloleval elektriskeemil. Keermega 1,9 cm (¾") NPT liitmiku läheduses on ka väline PE-ühenduslemm.

French

Mise à la terre

Les connexions de terre protectrice fixe (PE) sont requises pour la sécurité du personnel et pour un bon fonctionnement. Les connexions PE ne doivent pas avoir de fusible et ni d'interrupteur. Un câblage PE inadapté peut provoquer la mort ou des blessures graves. Ce matériel a un courant de fuite élevé et nécessite une connexion PE redondante.

Une connexion PE est faite à l'intérieur de la boîte à bornes comme indiqué dans le diagramme de câblage ci-dessus. Une saillie externe se trouve à côté des ports NPT 1,9 cm (¾") pour la connexion d'une connexion PE externe.

German

Erdung

Für die Sicherheit des Menschen sind Anschlüsse für den festen Schutzleiter (PE) und korrekter Betrieb erforderlich. PE-Anschlüsse dürfen über keine Sicherungen oder Unterbrechungen verfügen. Eine falsche PE-Verkabelung kann zu Tod oder schweren Verletzungen führen. Dieses Gerät hat einen hohen Erdungsfehlstrom und benötigt einen redundanten PE-Anschluss.

Ein PE-Anschluss wird (wie markiert) im Anschlusskasten wie auf dem Schaltplan oben erstellt. Es gibt auch eine externe Anschlussklemme neben den 1,9 cm (¾") NPT-Anschlüssen, an der ein externer PE-Anschluss befestigt werden kann.

Greek

Γείωση

Οι συνδέσεις σταθερής προστατευτικής γείωσης (PE) είναι απαραίτητες για την ανθρώπινη ασφάλεια, καθώς και για τη σωστή λειτουργία. Οι συνδέσεις PE δεν πρέπει να εμφανίζουν ασφάλεια ή διακοπή. Αν δεν ακολουθήσετε τη σωστή καλωδίωση PE, μπορεί να προκληθεί θάνατος ή σοβαρός τραυματισμός. Αυτός ο εξοπλισμός έχει υψηλό ρεύμα διαρροής γείωσης και απαιτεί πλεονάζουσα σύνδεση PE.

Μία σύνδεση PE δημιουργείται (όπως σημειώνεται) μέσα στο κιβώτιο ακροδεκτών όπως επισημαίνεται στο παραπάνω διάγραμμα καλωδίωσης. Παρέχεται επίσης μία εξωτερική προεξοχή κοντά στις θύρες NPT 1,9 cm (¾") για τη σύνδεση μίας εξωτερικής σύνδεσης PE.

Hungarian

Földelés

Rögzített védőföldelő csatlakoztatások (Protective Earth, PE) szükségesek a személyi biztonság, valamint a megfelelő működés érdekében. A PE csatlakozókra nem köthető biztositék, és áramkörük nem szakítható meg. Ha a PE csatlakoztatás nem felel meg az előírásoknak, akkor súlyos sérülés vagy halál következhet be. Ezen készülék nagy levezetési árammal rendelkezik, és redundáns (védőföldelő) PE csatlakozást igényel.

PE csatlakozó (a jelölt módon) a szerelődobozban található, a fenti vezetékezési ábrának megfelelően. Egy külső fül is rendelkezésre áll a 1,9 cm (¾") NPT portok közvetlen közelében, külső PE vezeték csatlakoztatásához.

Italian

Messa a massa

Le connessioni di messa a terra protettiva fisse sono necessarie sia per la sicurezza umana sia per la corretta esecuzione delle operazioni. Le connessioni di messa a terra protettiva non vanno fatte saltare né devono essere interrotte. La mancata realizzazione di adeguati cablaggi di messa a terra protettiva può causare morte o gravi lesioni. Questa attrezzatura ha un'elevata corrente di fuga di terra e necessita connessioni di messe a terra protettive ridondanti.

La connessione di messa a terra protettiva deve essere realizzata nella morsettiera come indicato nello schema di impianto sopra riportato. Accanto alle porte NPT da 1,9 cm (¾") è posta inoltre un'aletta esterna per collegare una messa a terra protettiva esterna.

Latvian

Sazemēšana

Nemainīga aizsargzemējuma (PE) pievienošana nepieciešama gan cilvēku drošībai, gan ierīces pareizai darbībai. PE pievienojumu nedrīkst izveidot caur drošinātāju un tajā nedrīkst izveidot pārtraukumu. Nepareizs PE pievienojums var būt nāvējošs vai izraisīt smagu traumu. Šai iekārtai ir liela zemējuma noplūdes strāva, un tai nepieciešams papildu PE pievienojums.

PE pievienojums ir izveidots (kā apzīmēts) pieslēgkārbas iekšpusē, kā iepriekš norādīts vadojuma shēmā. Ārējs izcilnis ir paredzēts blakus 1,9 cm (¾") NPT pieslēgvietai ārēja PE pievienošanai.

Lithuanian

Įžeminimas

Žmonių saugai ir tinkamam veikimui būtinos fiksuotojo apsauginio įžeminimo (PE) jungtys. PE jungtys neturi būti pedegę ar pertrauktos. Nesilaikant tinkamo PE sujungimo schemas galima mirtis ar rimti sužalojimai. Įrangoje naudojama aukšta nuotėkio į žemę srovė, todėl reikalinga dubliuojamoji PE jungtis.

PE jungtis atliekama (kaip pažymėta) gnybtų dėžutės viduje, kaip nurodyta aukščiau pateikiamoje montavimo schemoje. Taip pat yra pateikiama išorinė kilpa šalia 1,9 cm (¾") colio NPT prievadų, kad būtų galima prijungti išorinę PE jungtį.

Polish

Uziemienie

Podłączenia przewodu ochronnego (PE) są niezbędne do ochrony ludzi oraz właściwej eksploatacji. Do podłączeń PE nie wolno stosować bezpieczników lub przerywników. Nieprzestrzeżenie właściwego okablowania PE może skutkować zgonem lub poważnym obrażeniem. Sprzęt ten posiada wysoki prąd upływowy i wymaga rezerwowego podłączenia PE.

Podłączenie PE wykonuje się (zgodnie z oznaczeniem) wewnątrz skrzynki zaciskowej zgodnie z powyższym schematem okablowania. Istnieje również dodatkowy występ obok portów 1,9 cm (¾") NPT do podłączenia zewnętrznego podłączenia PE.

Portuguese

Ligação à terra

As ligações de Protecção a Terra Fixa (PE) são necessárias para a segurança humana, bem como para um funcionamento adequado. As ligações PE não podem ter fusíveis nem ser interrompidas. A não realização de ligações PE correctas pode causar a morte ou

lesões graves. Este equipamento tem corrente de fuga para terra elevada e requer uma ligação PE redundante.

A Ligação PE é feita (conforme marcado) dentro da caixa de terminais conforme indicado no diagrama de ligações acima. Também há um borne externo perto das portas NPT de 1,9 cm (3/4") para ligação de uma ligação PE externa.

Romanian

Legarea la pământ

Conexiunile de legare la pământ de protecție, fixe (PE) sunt necesare pentru securitatea persoanelor, precum și pentru funcționarea corespunzătoare. Conexiunile PE nu pot conține siguranțe și nu pot fi întrerupte. Nerespectarea cablării PE corespunzătoare poate cauza moartea sau vătămare gravă. Acest echipament are un curent înalt de scurgere la pământ și necesită o conexiune PE redundantă.

O conexiune PE se realizează (precum este marcat) în interiorul cutiei de conexiuni precum este indicat în diagrama de circuite de mai sus. Există de asemenea o bornă externă asigurată învecinată cu porturile NPT 1,9 cm (3/4") NPT pentru conectarea unei conexiuni PE externe.

Slovak

Uzemnenie

Pripojenia pevného ochranného uzemnenia (PE) sa vyžadujú na zaistenie bezpečnosti osôb a správnu prevádzku. Pripojenia PE nesmú byť zaisťované poistkou a nesmú sa prerušiť. Nesprávne vedenie PE môže spôsobiť smrť alebo vážne zranenie. V tomto zariadení sa nachádzajú vysoké únikové prúdy a vyžaduje sa redundantné pripojenie PE.

Uzemnenie PE je pripojené (podľa vyobrazenia) vo vnútri spojovacej skrine v súlade s vyššie uvedenou schémou zapojenia. K dispozícii je aj externá koncovka vedľa 1,9 cm (3/4") NPT portov na pripojenie externého pripojenia PE.

Slovenian

Ozemljitev

Za zagotovitev varnosti oseb in pravilno delovanje so potrebni fiksni zaščitni ozemljitveni priključki (PE). PE-priključki ne smejo biti zavarovani z varovalkami ali prekinjeni. Če ne zagotovite ustrezne PE-zaščite, lahko pride do smrtnih ali resnih poškodb. Oprema ima visok ozemljitveni uhajavi tok in potrebuje dodatni PE-priključek.

PE-priključek se vzpostavi (kot je označeno) v omarici s priključki, kot je označeno na zgornjem vezalnem načrtu. Poleg 1,9 cm (3/4")-palčnih NPT-vrat je tudi zunanji priključek za povezavo zunanjega PE-priključka.

Spanish

Puesta a tierra

Las conexión de toma de tierra de protección fija (PE) son necesarias para garantizar la seguridad humana, así como un funcionamiento correcto. Las conexiones de PE no deben incluir protección con fusibles ni elementos de interrupción. Si no se realiza un cableado correcto de la PE se pueden provocar fallecimientos o lesiones graves. Este equipo presenta una corriente de fuga a tierra de alta intensidad y requiere una conexión de PE redundante.

Una conexión de PE se realiza (tal y como se marca) dentro de la caja de bornes, según se indica en el esquema anterior. También se incluye un terminal externo adyacente a los puertos NPT de 1,9 cm (3/4") para acoplar una conexión de PE externa.

Swedish

Jordning

Fasta skydds Jordanslutningar krävs för såväl skydd av människor som för korrekt funktion. Anslutningar av fast skydds Jord får inte vara säkrade eller avbrutna. Underlåtenhet att efterfölja korrekt dragning av fast skydds Jord kan förorsaka död eller allvarlig skada. Den här utrustningen har hög jordläckström och kräver en redundant skydds Jord.

En fast skydds Jord monteras (enligt markering) inne i terminalboxen enligt kopplingsschemat ovan. Det finns också en yttre kabelsko monterad bredvid 1,9 cm (3/4")-portarna för anslutning av en yttre skydds Jordanslutning.

Actuator Connections

CAUTION



English

Always use tinned wire ends or ferruled crimp terminals to prevent stray strands of wire from shorting or falling into open circuit areas.

Bulgarian

Винаги използвайте проводници с калайдисани краища или ферулизирани кримп терминали за предотвратяване на това отделени жички от проводници да направят къси съединения или да попаднат в зони с отворена верига.

Croatian

Uvijek koristite žice s lemljenim krajevima ili metalnim prstenom kako biste spriječili kratko spajanje slobodnih vodiča ili spajanje s područjima s otvorenim strujnim krugom.

Czech

Vždy používejte cínované konce drátů nebo konce opatřené kováním, aby se zabránilo roztrpání žil kabelu a jejich zkratování či kontaktu s oblastmi otevřeného obvodu.

Danish

Anvend altid fortinnede ledningsender eller crimpterminaler med ferrule for at forhindre, at løse ledningstråde kortslettes eller falder ned i områder med åbent kredsløb.

Dutch

Gebruik altijd vertinde draaduiteinden of uiteinden met krimpbussen om te voorkomen dat losse strengen van de draad kortsluiting veroorzaken of in open stroomkringen vallen.

Estonian

Kasutage alati tinutatud juhtmeotsi või juhtmeotsa presshülse, et vältida juhtmekiudude irdumise tõttu põhjustatud lühist või juhtmekiudude kukkumist avatud ahelatesse.

French

Utilisez toujours des extrémités de fil étamé ou des cosses à sertir ferrulées pour éviter que les brins de fils isolés ne provoquent un court-circuit ou ne tombent dans des circuits ouverts.

German

Verwenden Sie immer verzinkte Drahtenden oder Quetschverbindung, damit keine vereinzelt Drahtstränge kurzschließen oder in die offenen Stromkreisbereiche fallen.

Greek

Χρησιμοποιείτε πάντα επικασσιτερωμένα άκρα σύρματος ή επιμεταλλωμένα τερματικά με πτύχωση, ώστε να αποτρέπεται το βραχυκύκλωμα ή η πτώση τυχόν νημάτων του σύρματος σε περιοχές ανοιχτού κυκλώματος.

Hungarian

Mindig forrassza le a vezetékvégeket, vagy alakítson ki szorítógyűrűs krimpelt vezetékvégeket, hogy megakadályozza, hogy leváló vezetékszálak kiálljanak vagy kihulljanak és rövidzárlatot okozzanak a nyitott áramkörü részeken.

Italian

Utilizzare sempre cavi con le estremità appiattite o terminali con morsetti di ferro per evitare che porzioni di filo si spezzino o cadano nelle aree aperte del circuito.

Latvian

Vienmēr lietojiet alvotus vadu galus vai metāla cilpu spaiļes, lai nepieļautu izpūrušu vadu dzīslu īsslēgumu vai krišanu uz atklātām ķēdes daļām.

Lithuanian

Visada naudokite alavuotus laidų galus ar metalizuotus užspaudo gnybtus, kad dėl atsiskyrusių laidų gijų nekiltų trumpasis jungimas ar jos nepatektų į atviras grandinės vietas.

Polish

Zawsze stosować ocynkowane końce przewodów lub końcówki zaciskowe w celu zapobieżenia luźnym końcom kabla wskutek skrócenia lub upadku do obszaru otwartego obwodu.

Portuguese

Utilize sempre pontas de fio estanhadas ou terminais de ponta crimp para evitar que os fios provoquem um curto-circuito ou caiam em áreas de circuito abertas.

Romanian

Utilizați mereu capete cositorite de fir sau terminale cu inel pentru a preveni scurtcircuitarea lițelor sporadice sau pentru prevenirea căderii în zonele cu circuit deschis.

Slovak

Používajte výlučne vodiče s pocínovanými koncami alebo svorky s kovaným ukončením, aby ste zabránili skratom vlákien vodiča alebo ich pádu do oblasti s otvoreným okruhom.

Slovenian

Vedno uporabite pocinkane konice žic ali priključke z zaščitnim obročkom, da preprečite, da bi izpadle nitke žic povzročili kratki stik ali padle v območja prekinjenih tokokrogov.

Spanish

Utilice siempre extremos de cable estañados o terminales con casquillos engarzados para evitar que los hilos sueltos del cable provoquen cortocircuitos o caigan en las zonas abiertas del circuito.

Swedish

Använd alltid förtennade ledningsändar eller ändar med krymptejpade doppskor för att förhindra att fria ledningstrådar orsakar kortslutning eller faller ner i öppna kretsar.

WARNING



English

Always use cables, cables glands, sealant, and installation techniques in accordance with local codes regarding hazardous locations to avoid creating safety hazards. After making electrical connections always re-install the cover to maintain proper sealing for operation in hazardous locations.

Bulgarian

Винаги използвайте кабели, кабелни уплътнения и техники за инсталация съгласно с локалните кодове за опасни местоположения за избягване на създаването на рискове за безопасността. След осъществяване на електрически свързвания винаги връщайте капака с помощта на всички болтове за капака и завъртане до 17 фута-паунда (23 Nm) за поддържане на правилно уплътнение при работа на опасни местоположения.

Croatian

Uvijek koristite kabele, uvodnice brtvila i tehnike instalacije koji su u skladu s lokalnim zakonima i propisima u vezi s opasnim lokacijama kako biste izbjegli stvaranje opasnih situacija. Nakon izvedbe električnih priključaka uvijek vratite poklopac i sve vijke te ih pritegnite na 17 ft-lbs (23 Nm) kako biste osigurali ispravno brtvljenje pri radu na opasnim lokacijama.

Czech

Vždy používejte kabely, kabelové průchodky, těsnicí prostředky a způsob instalace, které jsou v souladu s místními předpisy pro použití v rizikovém prostředí, aby se zabránilo vzniku bezpečnostních rizik. Po vytvoření elektrických spojů vždy znovu nainstalujte kryty za použití všech krycích šroubů a utahovacího momentu 17 librostop (23 Nm) tak, aby se obnovilo patřičné utěsnění potřebné pro provoz v rizikovém prostředí.

Danish

Anvend altid kabler, kabelforskrninger, tætningsmidler og installationsteknikker, der er i overensstemmelse med lokale regelsæt vedrørende farlige omgivelser, for at undgå at skabe en sikkerhedsfare. Når de elektriske forbindelser er etableret, skal låget altid monteres igen ved brug af samtlige lågets bolte, som tilspændes til 17 ft-lbs (23 Nm) for at opretholde en korrekt forsegling til drift i farlige områder.

Dutch

Gebruik altijd kabels, kabelpakkingen, afdichtmiddelen en installatietechnieken conform de plaatselijke regelgeving met betrekking tot gebruik in een gevaarlijke omgeving om te voorkomen dat er gevaarlijke situaties gecreëerd worden. Nadat u elektrische aansluitingen gemaakt heeft, moet u altijd opnieuw de beplating bevestigen met gebruik van alle vergrendelingen en torsie tot 17 voetpond (23 Nm) om een goede afdichting te behouden voor gebruik in gevaarlijke omgevingen.

Estonian

Ohtude vältimiseks tuleb kasutada kaableid, kaabli läbiviikusiid ja paigaldusviise, mis vastavad kasutuskohal kehtivatele plahvatusohtlikes keskkondades kasutamise eeskirjadele. Pärast elektriliste ühenduste tegemist tuleb alati paigaldada oma kohtadele kõik kaitsekatte poldid ja pingutada need momendiga 17 ft-lbs (23 Nm), et tagada seadmele plahvatusohtlikes keskkondades töötamiseks nõuetekohane tihedus.

French

Toujours utiliser des câbles, presse-étoupes, des matériaux d'étanchéité et des techniques d'installation en conformité avec les règlements en vigueur concernant les emplacements à risque pour éviter de créer des dangers. Après avoir marqué les connexions électriques, remplacez toujours le cache en utilisant tous les boulons et serrez à 17 pieds-livres (23 Nm) pour maintenir une bonne étanchéité pour le fonctionnement dans des emplacements à risque.

German

Verwenden Sie immer Kabel, Kabelverschraubungen, Dichtungsmittel und Installationstechniken mit örtlichen Codes bezüglich Gefahrenbereiche, um ein Sicherheitsrisiko zu vermeiden. Befestigen Sie nach dem Anschluss aller elektrischen Verbindungen immer die Abdeckung mit allen Schrauben für die Abdeckung und ziehen Sie diese mit 17 ft-lbs (23 Nm), um eine korrekte Abdichtung für den Betrieb in Gefahrenbereichen zu gewährleisten.

Greek

Χρησιμοποιείτε πάντα καλώδια, στυπιοθλίπτες καλωδίων, στεγανοποιητικό και τεχνικές εγκατάστασης σύμφωνα με τους τοπικούς κώδικες όσον αφορά τις επικίνδυνες τοποθεσίες, ώστε να μην δημιουργούνται κίνδυνοι ασφάλειας. Αφού δημιουργήσετε ηλεκτρικές συνδέσεις, να κάνετε πάντα επανεγκατάσταση του καλύμματος με όλες τις βίδες του καλύμματος και με ροπή στρέψης 17 ποδών-λιβρών (23 Nm), ώστε να διατηρείται η σωστή στεγανοποίηση για τη λειτουργία σε επικίνδυνες τοποθεσίες.

Hungarian

A kábeleket, kábeltömítéseket, tömítőanyagokat és szerelési technikákat mindig alkalmazza a veszélyes helyszínekre vonatkozó helyi előírásoknak megfelelően, a biztonsági kockázatok elkerülése érdekében. Elektromos csatlakozások kiépítése után mindig helyezze vissza a fedelet az összes fedélrögzítő csavar 17 láb-font (23 Nm) nyomatékkal történő meghúzásával, a veszélyes helyszíneken történő működtetéshez szükséges megfelelő tömítettséget biztosításához.

Italian

Servirsi sempre di cavi, pressacavi, sigillanti e tecniche di installazione conformi alle normative locali relative all'uso in luoghi pericolosi per evitare di creare pericoli per la sicurezza. Dopo aver effettuato le connessioni elettriche rimontare sempre la copertura usando i bulloni e la chiave dinamometrica a 17 ft-lb (23 Nm) per garantire l'adeguata tenuta durante il funzionamento in luoghi pericolosi.

Latvian

Vienmēr lietojiet kabelus, kabelu blīvlēģus, blīvējumu un uzstādīšanas veidu saskaņā ar vietējiem noteikumiem bīstamām telpām, lai nepieļautu briesmas. Pēc elektrisko savienojumu izveidošanas vienmēr uzlieciet atpakaļ vāku, izmantojot visas vāka skrūves un griezes momentu līdz 17 pēdmārciņām (23 Nm), lai uzturētu atbilstošu blīvējumu darbībai bīstamās vietās.

Lithuanian

Kad nekiltų pavojus saugai, laidai, kabeliai, riebokšliai, tarpinės ir sumontavimo metodika visada turi atitikti vietinius įstatymus, reglamentuojančius naudojimą pavojingose vietose. Po elektros schemos sujungimo visada iš naujo sumontuokite dangtį, naudodami visus dangčio varžtus ir iki 23 Nm sukimo momentą, kad būtų išlaikomas tinkamas sandarumas naudojant pavojingose vietose.

Polish

Zawsze stosować kable, dławiki kablowe, uszczelniacze i techniki instalacyjne zgodnie z miejscowymi przepisami w zakresie niebezpiecznych w celu uniknięcia stworzenia zagrożenia bezpieczeństwa. Po wykonaniu podłączeń elektrycznych zawsze ponownie

nałożyć pokrywę wykorzystując wszystkie śruby i dokręcić do 17 stóp-funt (23 Nm) w celu zachowania właściwego uszczelnienia do eksploatacji w niebezpiecznych lokalizacjach.

Portuguese

Utilize sempre cabos, conectores de cabos, selantes, fusíveis, etc. e técnicas de instalação de acordo com os códigos locais relativamente à utilização em locais perigosos para evitar criar perigos de segurança. Depois de fazer as ligações eléctricas, volte a colocar sempre a tampa, utilizando todos os parafusos da tampa com um binário de aperto de 17 pé-libra (23 Nm) para manter uma vedação adequada ao funcionamento em locais perigosos.

Romanian

Utilizați întotdeauna cabluri, garnituri de etanșare a cablului, etanșări, siguranțe și tehnici de instalare în conformitate cu codurile locale referitoare la utilizarea în locații periculoase pentru a evita producerea de situații periculoase privind securitatea. După realizarea conexiunilor electrice, reinstalați mereu capacul cu ajutorul șuruburilor de capac strânse cu un cuplu de 17 ft-lbs (23 Nm) pentru menținerea unei etanșări corespunzătoare pentru funcționarea în locații periculoase.

Slovak

Káble, káblové priechodky, tesniace prostriedky a inštalačné postupy sa musia vykonávať v súlade s miestnymi nariadeniami týkajúcimi sa nebezpečných prostredí, aby nedochádzalo k vzniku bezpečnostných rizík. Po dokončení elektrických pripojení nezabudnite nainštalovať kryt – použite všetky skrutky krytu a dotiahnite ich na moment 17 stóp-libier (23 Nm), čím zachováte správne utesnenie na prevádzku zariadenia v nebezpečnom prostredí.

Slovenian

Vedno uporabljajte kable, kabelske vijačne spoje, tesnila in namestitvene tehnike, ki so v skladu s lokalnimi pravilniki glede uporabe na nevarnih mestih, da preprečite varnostne nevarnosti. Po električni povezavi vedno ponovno namestite pokrov in ga privijajte z vsemi vijaki, ki jih privijte s 17 ft/lbs (23 Nm), da zagotovite ustrezno zatesnitev za obratovanje na nevarnih mestih.

Spanish

Utilice siempre cables, pasacables, sellador y técnicas de instalación conformes a las normativas locales sobre el uso en ubicaciones peligrosas con el fin de evitar la creación de riesgos de seguridad. Después de realizar las conexiones eléctricas, asegúrese de volver a colocar la cubierta utilizando todos los tornillos necesarios y apriete a 17 pies-lb (23 Nm) para mantener un adecuado cierre hermético que permita la operación en ubicaciones peligrosas.

Swedish

Använd alltid kablar, kabelpackningar, tätningssmedel, säkringar, etc. och installationstekniker i överensstämmelse med lokala bestämmelser avseende farliga miljöer för att undvika säkerhetsrisker. Återmontera alltid skyddet med samtliga bultar och dra åt med vridmoment upp till 17 ft-lbs (23 Nm) efter en elektrisk installation för att bibehålla ordentlig försegling vid drift i farliga miljöer.

Actuator Electrical Connections are to Terminal Blocks. Wiring will vary based upon feedback device selected. Please refer to the diagram below or contact Exlar technical support.

Most EL Series motors incorporate a 2 pole resolver or quadrature incremental encoder with commutation signals as the primary rotary feedback device. The selection of this feedback device is dictated by the amplifier that the end user will use to operate the motor.

Each amplifier has specific requirements for the feedback on the motor. Not all resolver-based amplifiers can use the same resolver, resolver alignment, or relative direction of resolver rotation. Not all encoder-based amplifiers can use the same encoder, encoder alignment or relative direction of encoder rotation.

Many amplifiers offer software that allows the entering of parameters or the downloading of "motor data files" that dictate how the feedback must be set up on the motor. Exlar can provide many of these data files or the proper parameters to enter. Entering motor parameter data to some amplifiers may require assistance from the amplifier manufacturer.

Feedback Alignment

When Exlar manufactures an EL Series motor, the proper feedback is selected, mounted, aligned and test run on the amplifier that the customer plans to use, or one that is known to be equivalent for confirming proper feedback alignment and operation. In any case where it is determined that the feedback has become misaligned, or an amplifier change is made requiring the feedback to be aligned differently, it is recommended that Exlar be contacted and arrangements made to have that procedure performed.

Feedback Wiring

The wiring of the feedback device is critical to the operation of the motor with the selected amplifier. Wiring the feedback cable incorrectly can cause unstable operation, incorrect operation or no operation at all. In some cases, improper current limits set in the amplifier along with improper wiring of the feedback cable can lead to damage of the motor.

Resolvers

A resolver is a non-electronic device that works like a small transformer. When rotated, it generates 2 sine waves that are out of phase with one another. By decoding these two sine waves, the amplifier can monitor the direction, revolutions, and speed of rotation of the motor. Each sine wave typically represents one revolution of the motor, so the amplifier can also use these signals to know where the motor is within that revolution. By knowing the motor's position, the amplifier can properly time the supply of current and voltage to the motor for it to rotate. This process is **commutation**. For the amplifier to properly commute the motor, it must have a reference, or zero, point from which to track the motor's rotation. This reference point is critical, and is provided to the amplifier through the proper alignment of the resolver to the phases of the motor during the actuator assembly.

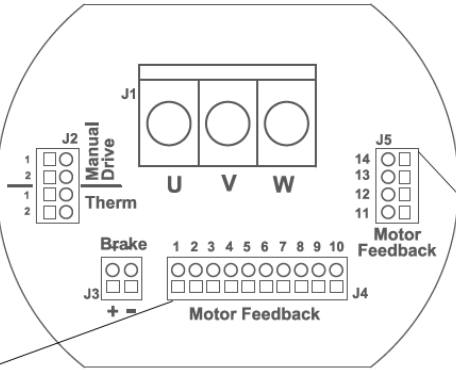
Encoders

An incremental encoder is an electronic rotary device that transmits a string of electrical pulses when rotated. Most brushless motors or servo systems that use incremental encoders use what is called a quadrature encoder. Typical brushless motor encoders use two data channels, labeled A&B, to provide direction, velocity and position information. The Channel labeled I or Z has one pulse per revolution and is called the index. The channels labeled as hall signals or commutation signals are typically labeled S1, S2 & S3; Hall 1, 2 & 3; or Hall A, B & C, depending on the manufacturer's conventions. These signals give the amplifier the commutation information that it needs to properly rotate the motor.

EL Series Feedback Devices

Standard EL Series motors use either resolvers or encoders as their primary feedback device. Depending on the amplifier that will be used to operate the actuator, the hookup of the actuator can vary. Refer to www.exlar.com or contact Exlar for the correct wiring details.

Terminal Identification



Feedback: Standard Incremental Encoder with Halls	
Pin	Function
1	5 VDC
2	Common
3	A+
4	A-
5	B+
6	B-
7	I
8	I-
9	Hall 1+
10	Hall 1-
11	Hall 2+
12	Hall 2-
13	Hall 3+
14	Hall 3-

Feedback: Standard Resolver	
Pin	Function
1	EXC+
2	EXC-
3	SW+
4	SW-
5	COS+
6	COS-
7	-
8	-
9	-
10	-
11	-
12	-
13	-
14	-

Feedback: Hiperface Stegmann	
Pin	Function
1	7-12 VDC
2	Common
3	Data +
4	Data -
5	Sin +
6	Sin -
7	Cos +
8	Cos -
9	-
10	-
11	-
12	-
13	-
14	-

Feedback: EnDat Heidenhain	
Pin	Function
1	UP Voltage Supply
2	0V Voltage Supply
3	UP Sense
4	0V Sense
5	Data +
6	Data -
7	Clock +
8	Clock -
9	A+
10	A-
11	B+
12	B-
13	-
14	-

Actuator (Motor) Power

Power is provided to the U, V, and W actuator phases using the indicated terminal blocks. The terminal blocks are capable of accepting various wire gauges. Conductor sizes and cable length must be designed for the specific application. There are additional internal lugs that connect to the actuator case for grounding.

Actuator (Motor) Feedback

Actuator position feedback and temperature information are provided using the indicated terminal blocks. The terminal blocks are capable of accepting various wire gauge conductors.

Actuator (Motor) Brake

Many applications require the addition of the rear internal holding brake. The brake is held open by the supply of power to a magnetic/ mechanical clutch. Whenever there is not power to the brake, the armature is held in place which prevents the shaft from moving.



English

DO NOT attempt to operate the motor with the brake applied. Allowing the motor to operate with the brake applied may cause serious damage to the motor and/or the brake. Do not use the brake to support heavy loads while an operator is under the load. Provide another means to lock the load in position. The brake is a spring applied friction mechanism and does not provide a positive lock.

Bulgarian

НЕ опитвайте да пускате двигателя с включена спирачка. Пускане на двигателя в действие, с включена спирачка, може да причини сериозна повреда, както на двигателя, така и на спирачката. Не използвайте спирачката, за да поддържате тежки товари, докато операторът се намира под товара. Осигурете други средства, за да блокирате товара на мястото му. Спирачката е пружинен механизъм, прилагащ триене и не осигурява принудително блокиране.

Croatian

NE POKUŠAVAJTE rukovati motorom dok je aktivirana kočnica. Rad motora s povučenom kočnicom može prouzročiti teška oštećenja motora i/ili kočnice. Ne koristite kočnicu za podupiranje velikih tereta dok se rukovatelj nalazi ispod tereta. Za zaključavanje tereta u određenom položaju upotrijebite neka druga sredstva. Kočnica je opruzna i ne jamči sigurno zaključavanje.

Czech

NEPOKOUŠEJTE SE provozovat motor s aktivovanou brzdou. Při provozu motoru s aktivovanou brzdou může dojít k vážnému poškození motoru a/nebo brzdy. Nepoužívejte brzdu jako podporu při silné zátěži, které operátor musí čelit. Použijte k udržení zátěže na místě jiné prostředky. Brzda je mechanismus aplikující tření pomocí pružiny a neposkytuje dostatečné blokování.

Danish

Forsøg IKKE på at bruge motoren med bremsen aktiveret. Hvis motoren bruges med bremsen aktiveret, kan det forårsage alvorlig skade på motoren og/eller bremsen. Brug ikke bremsen til at støtte tunge belastninger, mens operatøren er under belastningen. Sørg for en anden metode til at fastlåse belastningen på plads. Bremsen er en fjederaktiveret friktionsmekanisme, og den yder ikke en positiv lås.

Dutch

Doe NOOIT een poging om de motor te starten met de rem ingeschakeld. Het laten draaien van de motor met de rem ingeschakeld zal ernstige schade toebrengen aan de motor en/of de rem. Gebruik de rem niet om zware ladingen te dragen terwijl een operator zich onder de lading bevindt. Zorg voor een andere wijze van vergrendeling voor de lading. De rem heeft een mechanisme dat gebruik maakt van een veersysteem en kan niet worden vergrendeld.

Estonian

ÄRGE püüdke mootorit kasutada, kui pidur on aktiveeritud. Aktiveeritud piduriga mootori kasutamine võib mootorile ja/või pidurile tõsiseid kahjustusi tekitada. Ärge kasutage pidurit raskete laadungite toetamiseks, kui kasutaja on laadungi all. Kasutage laadungi paigal hoidmiseks teisi lukustusmeetodeid. Pidur on vedruga rakendatav hõõrdemehhanism ja ei tekita positiivset lukustust.

French

NE PAS tenter de faire fonctionner le moteur lorsque le frein est enclenché. Le fait de faire fonctionner le moteur lorsque le frein est enclenché peut endommager sérieusement le moteur et/ou le frein. Ne pas utiliser le frein pour supporter de lourdes charges lorsqu'un opérateur se trouve sous la charge. Utiliser d'autres moyens pour verrouiller la charge en position. Le frein est un mécanisme à friction à ressort et ne permet pas un verrouillage solide.

German

NICHT versuchen, den Motor mit angelegter Bremse zu betreiben. Wird der Motor mit angelegter Bremse betrieben, kann dies zu schweren Schäden an Motor und/oder Bremse führen. Nicht die Bremse einsetzen, um schwere Lasten zu halten, während ein Bediener sich unter der Last befindet. Die Last mit anderen Mitteln in Position halten. Die Bremse ist eine gefederter Reibmechanismus und bietet keinen Formschluss.

Greek

ΜΗΝ προσπαθήσετε να λειτουργήσετε τον κινητήρα με ενεργό το φρένο. Επιτρέποντας στον κινητήρα να λειτουργεί με το φρένο ενεργό μπορεί να προκληθεί σοβαρή βλάβη στον κινητήρα ή/και στο φρένο. Μην χρησιμοποιείτε το φρένο για την υποστήριξη βαριών φορτίων όταν ένας χειριστής βρίσκεται κάτω από το φορτίο. Παράσχετε ένα άλλο μέσο για να κλειδώσετε το φορτίο στη θέση του. Η πέδηση δημιουργείται από ένα μηχανισμό τριβής που ασκείται από ελατήριο και δεν παρέχει θετικό κλείδωμα.

Hungarian

Ha a fék be van húzva, NE kísérelje meg a motor üzemeltetését. Ha a motort úgy üzemelteti, hogy a fék be van húzva, az súlyosan károsíthatja a motort és/vagy a féket. A féket ne használja súlyos terhek megtartására miközben az üzemeltető a teher alatt helyezkedik el. A terhet más megoldással rögzítse. A fék egy rugós súrlódási mechanika, amely nem biztosít tökéletes rögzítést.

Italian

NON tentare di mettere in funzione il motore con il freno innestato. Azionare il motore con il freno innestato può causare danni gravi al motore e/o al freno stesso. Non utilizzare il freno per supportare carichi pesanti mentre un operatore si trova al di sotto del carico. Ricorrere ad altri mezzi per bloccare il carico in posizione. Il freno è un meccanismo a molla che funziona per mezzo dell'applicazione dell'attrito e non offre un bloccaggio sicuro.

Latvian

NEMĒĢINIET ekspluatēt motoru, bremzēm esot ieslēgtām. Ļaujot motoram darboties ar ieslēgtām bremzēm, var tikt izraisīti smagi motora un/vai bremžu bojājumi. Neizmantojiet bremzes, lai uzturēt lielu slodzi, kamēr operators atrodas zem kravas. Lai kravu nofiksētu noteiktā pozīcijā, izmantojiet citus līdzekļus. Bremze ir berzes mehānisms, ko darbina atspere, un tā nevar nodrošināt pozitīvu bloķēšanu.

Lithuanian

NEBANDYKITE naudoti variklio su įjungtu stabdžiu. Leisdami varikliui dirbti su įjungtu stabdžiu galite smarkiai sugadinti variklį ir (arba) stabdį. Nenaudokite stabdžio sunkiems kroviniams prilaikyti operatoriui esant po krovinio. Pateikite kitas priemones krovinio padėčiai užfiksuoti. Stabdys yra spyruoklės spaudžiamas frikcinis mechanizmas ir neužtikrina patikimo blokavimo.

Polish

NIE WOLNO próbować używać silnika z zaciągniętym hamulcem. Eksploatacja silnika z zaciągniętym hamulcem może doprowadzić do poważnego uszkodzenia silnika i/lub hamulca. Nie stosować hamulca do podtrzymania dużego obciążenia, jeżeli operator znajduje się pod obciążeniem; znaleźć inny sposób, jak zablokować obciążenie w danym miejscu. Hamulec jest mechanizmem opartym na tarcii powodowanym przez sprężynę i nie zapewnia trwałej blokady.

Portuguese

NÃO tente operar o motor com o travão aplicado. Permitir o funcionamento do motor com o travão aplicado pode causar danos graves no motor e/ou travão. Não utilize o travão para suportar cargas pesadas enquanto um operador se encontrar por baixo da carga. Forneça outro meio para bloquear a carga na devida posição. O travão é um mecanismo de fricção aplicado por molas e não fornece um bloqueio positivo.

Romanian

NU încercați operarea motorului cu frâna aplicată. Operarea motorului cu frâna aplicată poate cauza deteriorări grave motorului și/sau frânei. Nu utilizați frâna pentru a susține sarcini mari în timp ce un operator se află sub sarcină. Găsiți o altă modalitate de a bloca sarcina pe poziție. Frâna este un mecanism de fricțiune prin aplicare cu arc și nu oferă o blocare pozitivă

Slovak

NEPOKÚŠAJTE sa spúšťať motor so zatahnutou brzdou. Ak umožníte prevádzku motora so zatahnutou brzdou, môže dôjsť k závažnému poškodeniu motora a/alebo brzdy. Nepoužívajte brzdu na podporu ťažkého nákladu, ak je pod nákladom operátor. Na zabezpečenie nákladu na svojom mieste použite iné prostriedky. Brzda je pružinový trecí mechanizmus a neposkytuje aktívne blokovanie.

Slovenian

Motorja NE poskušajte spravljati v pogon, če je aktivirana zavora. Če dopustite, da motor deluje z aktivirano zavoro, lahko pride do velike škode na motorju in/ali zavori. Zavore ne uporabljajte za podpiranje težkega bremena, ko je pod njim upravljavec. Brema blokirajte na kakšen drug način. Zavora je torni vzmetni mehanizem, ki ne blokira na način brez zračnosti med elementi.

Spanish

NO intente hacer funcionar el motor con el freno aplicado. Permitir que el motor funcione con el freno aplicado puede ocasionar daños graves al motor y/o al freno. No use el freno para soportar cargas pesadas mientras que un operador esté bajo la carga. Use otros medios para bloquear la carga en su posición. El freno es un mecanismo de fricción aplicada con resorte y no ofrece un bloqueo positivo.

Swedish

Försök INTE att använda motorn med bromsen på. Om motorn används med bromsen på kan det orsaka allvarlig skada på motorn och/eller bromsen. Använd inte bromsen för att

stödja tunga laster medan en operatör befinner sig under lasten. Se till att lasten fixeras på annat sätt. Bromsen är en fjädertillämpad friktionsmekanism som inte ger någon positiv låsning.

Actuator (Motor) Manual Drive

The actuator may be built with one of three manual drive user interfaces, a handwheel, a hex drive, or a hand crank drive. Each manual drive configuration connects to a drive shaft with a pinion gear inside the actuator. The drive shaft is moved axially to engage or disengage the pinion with the driven gear inside the actuator. When the manual drive is in

the engaged position a safety interrupt switch prevents the actuator from operating if properly connected to the control system. All manual drive interfaces have holes that will allow for the use of a lockout device.

WARNING



English

Never engage the manual drive when power is applied to the actuator.

The manual drive is only intended for use during power down or OFF conditions. Engaging the manual drive when power is applied may result

in personal harm and/or damage to the actuator. The switch within the manual drive is not a failsafe device and should not be used as an ON/OFF for the actuator. Do not operate the actuator with the manual drive in a partially engaged position. Do not apply power to the actuator unless the manual drive is in the fully disengaged position as indicated by the safety interrupt switch being in the CLOSED state.

Bulgarian

Никога не включвайте ръчното задвижване, когато на изпълнителния механизъм е подадено захранване. Ръчното задвижване е предназначено за използване само, когато има прекъсване на тока или условия за ИЗКЛЮЧВАНЕ. Включване на ръчно задвижване, когато е подадено захранване, може да доведе до персонално нараняване и/или до повреда на оборудването. Ключът за ръчното задвижване не е устройство със защитен отказ и не трябва да се използва като устройство за ВКЛ./ИЗКЛ. на изпълнителния механизъм. Не работете с изпълнителния механизъм, когато ръчното задвижване е на частично включена позиция. Не подавайте захранване на изпълнителния механизъм, освен когато ръчното задвижване е в напълно изключена позиция, когато защитният изключвател е в ЗАТВОРЕНО положение.

Croatian

Nikada ne aktivirajte ručni pogon kada je aktuator pod naponom. Ručni je pogon namijenjen samo upotrebi tijekom prekida napajanja ili situacijama kada je aktuator ISKLJUČEN. Aktiviranje ručnog pogona kada je uređaj pod naponom mogli biste prouzročiti ozljede ili oštećenje opreme. Prekidač na ručnom pogonu nije sigurnosni uređaj i ne smije se koristiti kao prekidač za UKLJUČIVANJE/ISKLJUČIVANJE aktuatora. Ne rukujte aktuatorom dok je ručni pogon u djelomično aktiviranom položaju. Ne uključujte napajanje aktuatora ako ručni pogon nije u potpuno isključenom položaju, što je označeno ZATVORENIM položajem prekidača.

Czech

Jestliže je aktuátor zapnutý, nikdy neaplikujte manuální pohon. Manuální pohon je určen k používání jedině při vypnutém napájení. Použití manuálního pohonu při zapnutém aktuátoru může vést k poranění a/nebo k poškození přístroje. Vypínač v rámci ručního pohonu není bezpečnostním zařízením a neměl by se používat jako hlavní vypínač aktuátoru. Nepoužívejte aktuátor s ručním pohonem v částečně zapojené poloze. Nezapínejte aktuátor, dokud není manuální pohon ve zcela odpojené poloze, jak je indikováno bezpečnostním přerušovacím spínačem v UZAVŘENÉM stavu.

Danish

Aktiver aldrig det manuelle drev, når der er sat strøm til aktivatoren. Det manuelle drev er kun beregnet til brug, når strømmen svigter eller er SLUKKET. Hvis det manuelle drev aktiveres, når aktivatoren er strømforsynet, kan det medføre kvæstelser og/eller materialeskader. Kontakten i det manuelle drev er ikke en driftsikker anordning og bør ikke bruges til at TÆNDE/SLUKKE aktivatoren. Brug ikke aktivatoren med det manuelle drev i en delvist aktiveret position. Sæt ikke strøm til aktivatoren, medmindre det manuelle drev er i den helt deaktiverede position som angivet ved, at sikkerhedsafbryderen er i LUKKET tilstand.

Dutch

Schakel nooit de handbediening in als er spanning op de actuator wordt gebracht. De handbediening is alleen bedoeld voor gebruik tijdens het UITSCHAKELEN of terugschakelen van de stroomvoorziening. Het inschakelen van de handbediening onder spanning kan leiden tot persoonlijk letsel en/of. De schakelaar van de handbediening is geen storingsbeveiligde schakelaar en mag nooit als een AAN/UIT schakelaar voor de actuator worden gebruikt. Schakel de actuator niet in als de handbediening gedeeltelijk is ingeschakeld. Breng de actuator niet onder spanning als de actuator niet volledig in uitgeschakelde positie staat, zoals aangegeven door de onderbrekingsschakelaar in de GESLOTEN stand.

Estonian

Ärge ühendage manuaalset käigukasti, kui mootor on voolu all. Manuaalne käigukast on ette nähtud kasutamiseks ainult tingimustes, kus toide puudub või on VÄLJA lülitatud. Manuaalse käigukasti ühendamine pingestatud mootori korral võib põhjustada isiku vigastusi ja/või. Manuaalse käigukasti lüliti ei ole veakindel seade ja seda ei tohi kasutada ajami SISSE/VÄLJA lülitamiseks. Ärge kasutage mootorit, kui manuaalne käigukast on osaliselt ühendatud asendis. Ärge ühendage mootorit toitega, kui manuaalne käigukast ei ole täielikult ühendamata asendis, mida näitab ohukatkestuslüüti SULETUD-asend.

French

Ne jamais engager l'entraînement manuel lorsque l'actionneur est sous tension. L'entraînement manuel est uniquement conçu pour être utilisé lors de la mise hors tension ou lorsque le dispositif est ÉTEINT. Le fait d'engager l'entraînement manuel lorsque l'actionneur est sous tension peut causer des blessures corporelles et/ou endommager l'équipement. L'interrupteur de l'entraînement manuel n'est pas un dispositif à sécurité intégrée et il ne doit pas être utilisé pour ALLUMER/ÉTEINDRE l'actionneur. Ne pas faire fonctionner l'actionneur lorsque l'entraînement manuel est partiellement engagé. Ne pas mettre l'actionneur sous tension à moins que l'entraînement manuel ne soit entièrement désengagé, tel qu'indiqué par l'interrupteur de sécurité en position FERMÉE.

German

Den manuellen Antrieb niemals aktivieren, wenn am Auslöser Spannung anliegt. Der manuelle Antrieb ist nur für den Betrieb vorgesehen, wenn der Strom ausgeschaltet oder das Gerät AUS ist. Wird der manuelle Antrieb aktiviert, wenn Strom anliegt, kann dies zu Verletzungen von Personen und/oder Beschädigungen von Geräten führen. Der Umschalter im manuellen Antrieb ist kein Notfallgerät und sollte nicht als EIN-/AUS-Schalter für den Auslöser verwendet werden. Der Auslöser darf nicht betrieben werden, wenn der manuelle Antrieb in einer teilweise aktivierten Position ist. Legen Sie keinen Strom an den Auslöser an, wenn der manuelle Antrieb sich nicht in der vollständig deaktivierten Position befindet; dies ist ersichtlich, wenn der Sicherheitsunterbrecher im Zustand GESCHLOSSEN ist.

Greek

Ποτέ μην ενεργοποιείτε το χειροκίνητο χειριστήριο, όταν ασκείται ισχύς στον ενεργοποιητή. Το χειροκίνητο χειριστήριο προορίζεται μόνο για χρήση κατά τη διάρκεια των συνθηκών μειωμένης ισχύος ή απενεργοποίησης ΚΛΕΙΣΤΟ. Η ενεργοποίηση του χειροκίνητου χειριστήριου, όταν εφαρμόζεται ισχύς μπορεί να οδηγήσει σε σωματικές βλάβες ή/και βλάβη στον εξοπλισμό. Ο διακόπτης εντός του χειροκίνητου χειριστήριου δεν είναι μια ασφαλής συσκευή και δεν πρέπει να χρησιμοποιείται για το ΑΝΟΙΓΜΑ/ΚΛΕΙΣΙΜΟ του ενεργοποιητή. Μην λειτουργείτε τον ενεργοποιητή με το χειροκίνητο χειριστήριο σε μια μερικώς ενεργοποιημένη θέση. Μην εφαρμόζετε ισχύ στον κινητήρα, εκτός εάν το χειροκίνητο χειριστήριο βρίσκεται στην πλήρως ανενεργή θέση, που υποδεικνύεται με τον διακόπτη διακοπής ασφαλείας να βρίσκεται στην ΚΛΕΙΣΤΗ θέση.

Hungarian

A kézi vezetést soha ne kapcsolja be, ha az indítószerkezet áram alatt van. A kézi vezetést kizárólag arra az esetre tervezték, ha az áram KIKAPCSOLT állapotban van. Ha a kézi vezetést áram alatt úgy alkalmazza, az személyes sérülést okozhat és/vagy. A kézi vezetéshez tartozó kapcsoló nem üzembiztos készülék, és nem szabad az indítószerkezet BE/KI-kapcsolására használni. Az indítószerkezetet ne használja a kézi vezetéssel, ha az részlegesen bekapcsolt állapotban van. Az indítószerkezetet csak akkor helyezze áram alá, ha a kézi vezetést teljesen ki van kapcsolva, amelyet a biztonsági megszakító kapcsoló ZÁRT állapota jelez.

Italian

Non inserire mai il comando manuale mentre l'attuatore è alimentato. Il comando manuale deve essere utilizzato solo in condizioni di NON ALIMENTAZIONE del dispositivo. Inserire il comando manuale con l'attuatore alimentato può essere causa di lesioni personali e/o danni per il dispositivo. L'interruttore relativo al comando manuale non è un dispositivo a prova di guasto e non deve essere utilizzato quale interruttore di ACCENSIONE/SPEGNIMENTO dell'attuatore. Non azionare l'attuatore con il comando manuale in posizione di inserimento parziale. Non alimentare l'attuatore a meno che il comando manuale non sia nella posizione di completo disinserimento come indicato dal fatto che l'interruttore di interruzione di sicurezza sia nella posizione di CHIUSO.

Latvian

Neieslēdziet manuālo piedziņu, kamēr aktivatoram ir pievadīta strāva. Manuālā piedziņa ir paredzēta tikai lietošanai IZSLĒGTĀ vai atvienotā stāvoklī. Ieslēdzot manuālo piedziņu, kamēr ir pievadīta strāva, var tik izraisītas traumas. Manuālajā piedziņā esošais slēdzis nav bezatzeices ierīce, un to nedrīkst lietot aktivatora IESLĒGŠANAI vai IZSLĒGŠANAI. Nedarbiniēt manuālajā piedziņā esošo aktivatoru daļēji ieslēgtā stāvoklī. Nepievadiet aktuatoram strāvu, kamēr manuālā piedziņa nav pilnībā ieslēgtā stāvoklī, kā to norāda drošības pārtrauces slēdzis, kas atrodas SLĒGTĀ stāvoklī.

Lithuanian

Niekuomet nesujunkite rankinės pavaros esant įjungtam vykdymo įtaiso maitinimui. Rankinė pavara skirta naudoti tik esant IŠJUNGTAM elektros tiekimui arba maitinimui. Sujungę rankinę pavarą esant įjungtam maitinimui galite susižeisti ir (arba). Jungiklis rankinėje pavaroje nėra patikimas įtaisas ir neturi būti naudojamas vykdymo įtaiso ĮJUNGIMUI / IŠJUNGIMUI. Nenaudokite vykdymo įtaiso, kai rankinė pavara yra dalinai sujungtoje padėtyje. Neįjunkite vykdymo įtaiso maitinimo, jei rankinė pavara nėra visiškai atjungta, ką rodo saugos atjungiklis UŽDARYTOJE padėtyje.

Polish

Nigdy nie włączaj napędu ręcznego, kiedy siłownik jest pod napięciem. Napęd ręczny jest przeznaczony do użycia tylko w przypadku przerwy w zasilaniu lub w sytuacjach, kiedy siłownik jest WYŁĄCZONY. Włączenie napędu ręcznego, kiedy siłownik jest pod napięciem, może doprowadzić do obrażeń ciała i/lub uszkodzenia urządzenia. Przełącznik napędu ręcznego nie jest urządzeniem odpornym na awarie i nie należy z niego korzystać jako z WŁĄCZNIKA/WYŁĄCZNIKA siłownika. Nie eksploatować siłownika z napędem ręcznym w częściowo włączonej pozycji. Nie włączaj zasilania siłownika, jeżeli napęd ręczny nie znajduje się w całkowicie wyłączzonej pozycji, która sygnalizowana jest przez ZAMKNIĘCIE wyłącznika awaryjnego.

Portuguese

Nunca active o comando manual quando é aplicada energia para o actuador. O comando manual destina-se apenas a ser utilizado em caso de ausência de alimentação ou com o equipamento DESLIGADO. Activar o comando manual quando é aplicada energia pode resultar em lesões corporais e/ou danos no equipamento. O interruptor no comando manual não é um dispositivo de segurança intrínseca e não deve ser utilizado como um interruptor para LIGAR/DESLIGAR o actuador. Não opere o actuador com o comando

manual numa posição parcialmente activada. Não aplique energia ao actuador, a não ser que o comando manual se encontre na posição totalmente desactivada, conforme indicado pelo estado FECHADO do interruptor de segurança.

Romanian

Nu activați niciodată comanda manuală când se aplică putere actuatorului. Comanda manuală este destinată numai utilizării în timpul condițiilor de putere oprită sau OPRIT. Activarea comenzii manuale atunci când se aplică putere poate avea ca rezultat vătămarea personală și/sau deteriorarea echipamentului. Butonul din interiorul comenzii manuale nu este un dispozitiv autoprotejat și nu trebuie utilizat pentru funcția PORNIT/OPRIT a actuatorului. Nu operați actuatorul cu comanda manuală în poziție parțial angajată. Nu aplicați putere actuatorului dacă respectiva comandă manuală nu este în poziție total decuplată, indicată de butonul de întrerupere de siguranță, care trebuie să fie în poziția ÎNCHIS.

Slovak

Nikdy nepoužívajte ručný pohon, ak je spúšťač pod napätím. Ručný pohon je určený len na použitie v podmienkach zníženého alebo VYPNUTÉHO napájania. Spustenie ručného pohonu pri zapnutom napájaní môže viesť k telesnej ujme a/alebo poškodeniu. Spínač v rámci ručného pohonu nie je zariadenie zabezpečené proti výpadku prúdu a nemá sa používať na ZAPÍNANIE alebo VYPÍNANIE spúšťača. Spúšťač nepoužívajte s ručným pohonom v čiastočne zapojenej polohe. Spúšťač nikdy nezapájajte, pokiaľ je ručný režim v úplne odpojenej polohe, čo zistíte na základe ZATVORENÉHO stavu bezpečnostného prerušovača.

Slovenian

Nikoli ne aktivirajte ročnega pogona, če je vključeno napajanje sprožila. Uporaba ročnega pogona je predvidena samo za primere, ko sprožilo nima napajanja, ali ko je IZKLOPLJENO. Če ročni pogon aktivirate, ko je vključeno napajanje, lahko pride do telesnih poškodb. Stikalo v ročnem pogonu ni varna naprava in se ne sme uporabljati za VKLOP/IZKLOP sprožila. Ne zaganjajte sprožila, če je ročni pogon delno aktiviran. Ne vključujte napajanja sprožila, razen če je ročni pogon popolnoma deaktiviran, na kar kaže ZAPRTI položaj varnostnega stikala za prekinitev.

Spanish

Nunca emplee la unidad manual cuando la corriente esté aplicada al actuador. La unidad manual solo está prevista para ser utilizada durante situaciones en que no haya corriente o los aparatos estén DESCONNECTADOS. El empleo de la unidad manual cuando la corriente esté aplicada puede provocar daños personales y/o al equipo. El interruptor que se encuentra dentro de la unidad manual no es un dispositivo seguro en caso de fallo y no debe utilizarse como un interruptor de ENCENDIDO/APAGADO para el actuador. No haga funcionar el actuador con la unidad manual en una posición de activado. No aplique la corriente al actuador a menos que la unidad manual se encuentre en la posición de totalmente desactivada como quedará indicado por el interruptor de seguridad cuando se encuentre en el estado CERRADO.

Swedish

Lägg aldrig i handdrivningen när manöverdonet är strömsatt. Handdrivningen är endast avsedd för användning under strömavbrott eller i läget AV. Om handdrivningen aktiveras när strömmen är på kan det leda till personskador och/eller skador på utrustningen. Brytaren inuti handdrivningen är ingen idiotsäker anordning och ska inte användas som en brytare för AV/PÅ för manöverdonet. Använd inte manöverdonet med handdrivningen i ett delvis aktiverat läge. Strömsatt inte manöverdonet såvida inte handdrivningen är i ett helt fränkopplat läge, vilket anges av att säkerhetsbrytaren är i läget STÄNGD.

Maximum Manual Drive Input Torque

Model	Maximum Torque in-lbs / (Nm)
EL120	40 / (4.5)

CAUTION



English

If manually driving through a brake or high force is necessary, please consult Exlar engineering. Please note that this will wear the brake, resulting in dust formation and a change in brake performance.

Bulgarian

Ако е необходимо голямо усилие за задвижване след освобождаване на спирачката, моля обърнете се към инженерно-конструкторския състав на Exlar. Моля отбележете, че в такъв случай спирачката ще се износи и в резултат ще се образува прах, а в характеристиките на спирачката ще настъпи промяна.

Croatian

Ako je potreban ručni pogon za kretanje protiv kočnice ili veće sile, obratite se inženjerskoj službi tvrtke Exlar. Napominjemo da ćete na taj način istrošiti kočnicu, što će prouzročiti stvaranje prašine i promjenu u funkcioniranju kočnice.

Czech

Je-li nutné manuální pohánění pomocí brzdy nebo velké síly, konzultujte to s technickým oddělením Exlar. Pamatujte, že se tím opotřebovává brzda, následkem čehož vzniká prach a mění se účinnost brzdy.

Danish

Spørg Exlar Teknik til råds, hvis det er nødvendigt manuelt at køre gennem en bremse eller høj kraft. Bemærk, at dette vil slide på bremsen, hvilket medfører støvdannelse og en ændring af bremsens ydeevne.

Dutch

Indien handmatig doorrijden met de rem of onder zware kracht noodzakelijk is geweest, vraag dan advies aan Exlar engineering. Vergeet niet dat hierdoor de rem zal afslijten en stof kan worden verspreid waardoor de prestaties van de rem verminderd worden.

Estonian

Kui on vajalik manuaalne sõitmise piduriga või tugeva jõu rakendamise, pidage nõu Exlar inseneridega. Pange tähele, et see kulutab pidurit, tekitades tolm ja muutes piduri toimivust.

French

S'il est nécessaire que le frein soit en position lors de l'utilisation de l'entraînement manuel ou qu'une force élevée soit appliquée, veuillez consulter le service d'ingénierie d'Exlar. Veuillez noter que cela usera le frein, ce qui entraînera la formation de poussières et une modification des performances du frein.

German

Wenn manueller Antrieb über eine Bremse oder hohe Kraft notwendig ist, wenden Sie sich bitte an die Exlar-Technik. Beachten Sie bitte, dass dies die Bremse verschleißt, was zur Bildung von Staub führt und die Bremsleistung beeinflusst.

Greek

Αν είναι απαραίτητος ο χειροκίνητος χειρισμός μέσω του φρένου ή απαιτείται μεγάλη δύναμη, παρακαλούμε συμβουλευτείτε το τμήμα μηχανικών της Exlar. Παρακαλούμε σημειώστε ότι η ενέργεια αυτή θα προκαλέσει φθορά στο φρένο, με αποτέλεσμα το σχηματισμό σκόνης και αλλαγή στην απόδοση της πέδησης.

Hungarian

Ha egy féken kézi vezetéssel szükséges áthaladni vagy nagy erő kifejtés szükséges, kérjük, lépjen kapcsolatba az Exlar mérnökségével. Ügyeljen arra, hogy ez koptatja a féket, és port termel, valamint megváltoztatja a fék teljesítményét.

Italian

Nel caso sia necessario ricorrere al comando manuale mediante freno o forza elevata, consultare il dipartimento Ingegneria di Exlar. È bene notare che ciò usurerà il freno, comportando formazione di polvere e una variazione relativa alle prestazioni del freno.

Latvian

Ja nepieciešama manuāla piedziņa ar bremzēšanu vai lielu jaudu, lūdzu, sazinieties ar Exlar inženieriem. Lūdzu, ņemiet vērā, ka bremzes tādējādi tiek deldētas, izraisot putekļu veidošanos un bremžu veiktspējas izmaiņas.

Lithuanian

Jei būtina rankiniu būdu nugalėti stabdžio ar didelės jėgos pasipriešinimą, pasitarkite su Exlar inžinieriais. Įsidėmėkite, kad tai stipriai nudėvi standžius, dėl ko sudaro dulkių ir pasikeičia stabdžių darbinės charakteristikos.

Polish

Jeżeli konieczne jest zastosowanie napędu ręcznego przy zaciągniętych hamulcu lub użycie dużej siły, należy skontaktować się z działem konstrukcyjnym firmy Exlar. Trzeba wiedzieć, że spowoduje to większe zużycie hamulca, prowadząc do powstawania pyłu i zmiany wydajności hamulca.

Portuguese

Se for necessária a orientação manual através de uma travagem ou elevada força, consulte a assistência técnica da Exlar. Tenha em atenção que isto irá desgastar o travão, resultando na formação de pó e numa alteração do desempenho do travão.

Romanian

Dacă se conduce manual prin frână sau dacă este necesară o forță mare, vă rugăm să consultați compania de inginerie tehnică Exlar. Vă rugăm să rețineți că acest lucru va uza frâna, ceea ce are ca rezultat formarea de praf și modificarea performanței frânei. angajată. Nu aplicați putere actuatorului dacă respectiva comandă manuală nu este în poziție total decuplată, indicată de butonul de întrerupere de siguranță, care trebuie să fie în poziția ÎNCHIS.

Slovak

Ak je potrebný ručný pohon pomocou brzdy alebo nárazovej sily, poraďte sa s technickým oddelením spoločnosti Exlar. Upozorňujeme, že sa tým opotrebováva brzda, čo vedie k tvorbe prachu a zmene brzdneho výkonu.

Slovenian

Če je potreben ročni pogon za premagovanje zavore ali večja sila, se obrnite na tehnično službo podjetja Exlar. Opozoriti je treba, da se zaradi tega zavora obrabi, kar povzroča nastajanje prahu in spremembo zavorne zmogljivosti.

Spanish

Si es necesario dirigir un aparato a través de un freno o una fuerza alta, por favor consulte con el departamento de Ingeniería de Exlar. Por favor tenga en cuenta que esto desgastará el freno, dando como resultado la formación de polvo y un cambio en el rendimiento del freno.

Swedish

Om manuell körning via en broms eller med hög kraft är nödvändig ska du ta kontakt med Exlar maskinteknik. Observera att detta kommer att slita på bromsen och leda till att damm bildas och att bromsens prestanda ändras.

CAUTION



English

If a power tool is used to operate the hex manual drive, the speed should be limited to 600 RPM. An impact driver should never be used to operate the hex manual drive.

Bulgarian

Ако инструмент с електрическо захранване се използва за шестостенната ос на ръчното задвижване, скоростта му трябва да бъде ограничена до 600 об./мин. Никога не трябва да се използва инструмент с ударно действие за шестостенната ос на ръчното задвижване.

Croatian

Ako se za rukovanje šesterokutnim ručnim pogonom koristi električni alat, brzina mora biti ograničena na 600 o/min. Za pokretanje ručnog pogona nikada se ne smije koristiti udarna bušilica.

Czech

Použije-li se nějaký elektrický nástroj k ovládní šestihranu manuálního pohonu, otáčky by měly být omezeny na 600 ot/min. K ovládní šestihranu manuálního pohonu by se nikdy neměl používat rázový utahováč.

Danish

Hvis der bruges et elværktøj til at bruge det sekskantede manuelle drev, skal hastigheden begrænses til 600 omdr/min. Der bør aldrig bruges en slagskruetrækker til at betjene det sekskantede manuelle drev.

Dutch

Indien een elektrische slagmoersleutel wordt gebruikt om de handaandrijving te bedienen dan moet de snelheid ingesteld worden op 600 RPM. Er mag geen pneumatische sleutel worden gebruikt voor de handaandrijving.

Estonian

Kui kuuskant-käsiajami kasutamiseks rakendatakse elektrilist tööriista, peab kiiruse piirama 600 pöördeni minutis. Kuuskant-käsiajami käitamiseks ei tohi kunagi kasutada löökkruvitsat.

French

Si vous utilisez un outil électrique pour faire fonctionner l'entraînement manuel hexagonal, vous devez en limiter la vitesse à 600 tr/min. Ne jamais utiliser de visseuse à percussion pour faire fonctionner l'entraînement manuel hexagonal.

German

Wenn der manuelle Sechskant-Antrieb mit einem Elektrowerkzeug betrieben, sollte die Umdrehungszahl auf 600 U/min beschränkt werden. Der manuelle Sechskant-Antrieb sollte niemals mit einem Schlagbohrer betrieben werden.

Greek

Αν ένα ηλεκτρικό εργαλείο χρησιμοποιηθεί για να λειτουργήσει το εξάγωνο χειροκίνητο χειριστήριο, η ταχύτητα θα πρέπει να περιοριστεί στις 600 ΣΑΛ. Ένα κρουστικό καταβίδι δεν πρέπει ποτέ να χρησιμοποιείται για τη λειτουργία του εξάγωνου χειροκίνητου χειριστηρίου.

Hungarian

Ha a hex kézi vezetés üzemeltetéséhez szerszámgépet használ, a sebességet korlátozza 600 RPM-re. Soha ne használjon ütve-csavarozót a hex kézi vezetés üzemeltetéséhez.

Italian

Se viene utilizzato uno strumento elettrico per azionare il comando manuale esagonale, la velocità deve essere limitata a 600 giri/min. Non utilizzare mai un avvitatore a impulsi per azionare il comando manuale esagonale.

Latvian

Ja sešskaldņu manuālās piedziņas griešanai tiek izmantots elektrisks darbarīks, ātrums ir jāierobežo līdz 600 apgr./min. Triecieninstrumentu sešskaldņu manuālās piedziņas griešanai izmantot nedrīkst.

Lithuanian

Jeį naudojate elektrinį įrankį rankinės pavaros šešiakampiui sukti, greitis negali viršyti 600 aps./min. Niekuomet naudokite smūginio suktuvo rankinės pavaros šešiakampiui sukti.

Polish

Jeżeli do obsługi sześciokątnego napędu ręcznego stosowane jest elektronarzędzie, częstotliwość obrotu nie powinna przekraczać 600 obrotów na minutę. Do obsługi sześciokątnego napędu ręcznego nie wolno nigdy stosować wiertarki udarowej.

Portuguese

Se for utilizada uma ferramenta eléctrica para operar o comando manual sextavado, a velocidade deve ser limitada a 600 RPM. Nunca se deve utilizar um controlador de impacto para operar o comando manual sextavado.

Romanian

Dacă se utilizează un instrument electric pentru operarea piuliței hexagonale, viteza trebuie să fie limitată la 600 RPM. Nu trebuie niciodată utilizat un dispozitiv de antrenare cu impact pentru operarea piuliței hexagonale.

Slovak

Ak sa na používanie ručného kľúča so šesťhranným otvorom používa elektrický nástroj, rýchlosť je potrebné obmedziť na 600 ot./min. Na uťahovanie ručného kľúča so šesťhranným otvorom sa nemá používať elektrický uťahovák.

Slovenian

Če vreteno s šeststrobo glavo za ročni pogon vrtnice s pomočjo električnega orodja, naj hitrost slednjega ne presega 600 vrt/min. Za vrtenje vretena s šeststrobo glavo za ročni pogon ne smete nikoli uporabljati udarnega vijčnika.

Spanish

Si se utiliza una herramienta eléctrica para hacer funcionar la unidad manual hexagonal, la velocidad debe limitarse a 600 RPM. Nunca se debe usar una taladradora para hacer funcionar la unidad manual hexagonal.

Swedish

Om ett motordrivet verktyg används för att driva den manuella insexnyckeln ska hastigheten begränsas till 600 varv per minut. En skruvdragare får aldrig användas för att driva den manuella insexnyckeln.

CAUTION



English

Extreme caution should be taken when approaching the end of stroke of the actuator or system.

Bulgarian

Трябва да се внимава изключително, когато приближава края на хода на изпълнителния механизъм или системата.

Croatian

Potrebna je posebna pažnja prilikom približavanja kraju hoda aktuatora ili sustava.

Czech

Mimořádné opatrnosti je třeba dbát při přiblížení ke konci zdvihu aktuátoru nebo systému.

Danish

Der skal udvises ekstrem omhu, når aktivatoren eller systemet nærmer sig slutslaget.

Dutch

Let op bij het omgaan met het einde van de slag in de actuator of het systeem.

Estonian

Lähenedes mootori või süsteemi käiguosa lõpule, peab olema äärmiselt ettevaatlik.

French

Il convient de faire très attention en fin de course de l'actionneur ou du système.

German

Es muss sehr vorsichtig vorgegangen werden, wenn das Hubende des Auslösers oder Systems erreicht wird.

Greek

Ιδιαίτερη προσοχή πρέπει να ληφθεί όταν πλησιάζετε το τέλος της διαδρομής του ενεργοποιητή ή του συστήματος.

Hungarian

Ha az indítószerkezet vagy a rendszer ütemének végéhez közelít, legyen kiemelten óvatos.

Italian

Prestare estrema attenzione nell'avvicinarsi all'estremità della corsa dell'attuatore o del sistema.

Latvian

Sevišķa uzmanība jāpievērš, tuvojoties aktivatora vai sistēmas takts beigām.

Lithuanian

Itin atsargiai elkitės, artėdami prie vykdymo įtaiso arba sistemos eigos ribos.

Polish

Podczas zbliżania się do końca skoku siłownika lub systemu należy zachować maksymalną ostrożność.

Portuguese

É necessária uma atenção particular quando se aproxima do final do curso do actuador ou sistema.

Romanian

Trebuie procedat cu extremă precauție în apropierea finalului cursei actuatorului sau a sistemului.

Slovak

Pri približovaní sa ku koncu dráhy spúšťača alebo systému je potrebné dávať mimoriadny pozor.

Slovenian

Ko se približujete koncu hoda sprožila ali mehanizma morate biti izjemno pazljivi.

Spanish

Deben extremarse las precauciones cuando se acerque al extremo de la carrera del actuador o sistema.

Swedish

Var oerhört försiktig om du närmar dig änden på manöverdonets eller systemets slag.

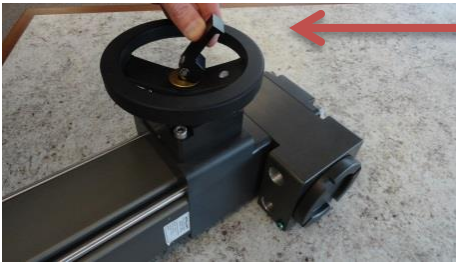
OPERATING INSTRUCTIONS

HANDWHEEL:

1. Turn off power to the actuator. If the unit has a brake, disengage it if possible.
2. Move lever to engage or disengage handwheel as shown below. Always move the lever to the full Engage or Disengage position. See pictures below.
3. Confirm the state of the safety interrupt switch. The switch should be in the OPEN state when the handwheel is engaged. The handwheel can now be used.
4. Return lever to disengaged position before applying power to actuator.



Handwheel in Disengaged Position



Flip Direction

Move lever as shown (Step 2)



Handwheel in Engaged Position (Step 3)

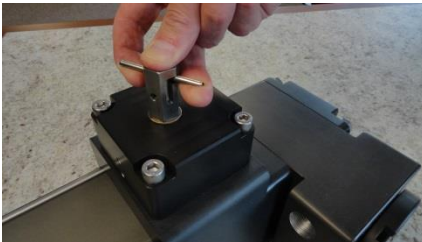
HEX DRIVE:

1. Turn off power to the actuator. If the unit has a brake, disengage it if possible.
2. Hook your fingers under the cross-pin on both sides of the hex. Pull the pin away from the body of the actuator and rotate the pin into the longer slot on the hex. Allow the pin and shaft to be pulled down toward the body of the actuator. See pictures below.

3. Confirm the state of the safety interrupt switch. The switch should be in the OPEN state when the hex drive is engaged. The hex drive can now be used.
4. Return to disengaged position before applying power to actuator.

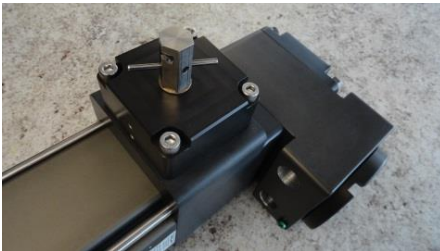


Hex in Disengaged Position



Hex Engage Direction

Move Pin as Shown (Step 2)



Hex in Engaged Position (Step 3)

HAND CRANK DRIVE:

1. Turn off power to the actuator. If the unit has a brake, disengage it if possible.
2. Remove the lanyard pin. It will be necessary to depress the button on the pin.
3. Lift the hand crank away from the body of the actuator and pivot the crank 180 degrees until the handle is facing away from the body of the actuator.
4. Insert the lanyard pin through the crank and shaft to lock the crank in place. See pictures below.
5. Confirm the state of the safety interrupt switch. The switch should be in the OPEN state when the hand crank is engaged. The hand crank can now be used.
6. Return to disengaged position before applying power to actuator.



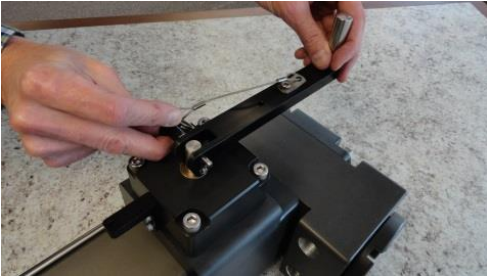
Hand Crank in Disengaged Position



Flip Direction



Remove Pin and Flip Hand Crank (Steps 2 & 3)



Re-insert Pin to Engage Hand Crank (Steps 4 & 5)

Actuator Label Designs

Below is the design of the actuator label. The label has two parts – part 1 is the aluminum nameplate with certification data and other static markings. The top portion of the aluminum label will have a Thermal Transfer Metallized Polyester Label. This portion of the label includes the variable information, Exlar's name & address, model number, serial number and electrical ratings. This label can also be used for a customer specific label where customer logo and part number information can be included. An example is shown below:

EXLAR

Manufactured by Exlar Corporation
18400 West 77th Street
Chanhassen, MN 55317 USA

EX120-XXXX-XXX-XXXX-XXX-XX
SERIAL NO: YYWWXXXX
PART NO: XXXXX REV: X
XXX AMPS XXX VOLTS XXXX RPM

Example – Exlar Label

Exlar or Customer Label Affixed Here

Amb. Temp: -29°C to +93°C

See Installation Instruction Document.

Caution: Keep Cover Tight While Circuits Are Live.

**Attention: Garder le couvercle fermé et étanche
tant que les circuits sont sous tension.**

3/4 NPT Entry Ports

Conduit Entries shall be sealed within 18 inches of
the enclosure. Do not open when an explosive gas
atmosphere is present.

 2813



II 2G
SIRA 15ATEX1010X
IECEX CSA 14.0014X
Ex d IIB+H₂ T4 Gb
IP66, TYPE 4


C US
163694
Class I, Div 1
Group B,C,D,T4

Product Label

SERVICE & MAINTENANCE

Service and maintenance of the actuator in the field must be limited to mounting, installation, inspection, and re-greasing. Wiring connections will need to be made by access into the Terminal Block Housing. Any additional service or maintenance on the actuator must be conducted at the factory.

Maintenance Procedures for Re-Greasing

Maintenance Procedure for Roller Screw Re-Greasing

CAUTION



English

If your actuator has a preloaded roller screw, do not remove it from the cylinder. Preloaded screws require special tooling and procedures for proper disassembly and reassembly. Contact Exlar to arrange for maintenance of a preloaded screw actuator.

Bulgarian

Ако вашият изпълнителен механизъм има предварително напрегнат ролков ходов винт, не го демонтирайте от цилиндъра. Предварително напрегнатите винтове изискват специални инструменти и процедури за правилен демонтаж и монтаж. Обърнете се към Exlar Corporation, за да се договорите за поддръжката на изпълнителния механизъм с предварително напрегнат винт.

Croatian

Ako vaš aktuator ima prethodno instaliran valjkasti vijak, nemojte ga uklanjati iz cilindra. Za prethodno postavljene vijke potrebni su poseban alat i postupci pravilne demontaže i ponovne montaže. Obratite se tvrtki Exlar Corporation i dogovorite održavanje aktuatora s prethodno postavljenim vijkom.

Czech

Jestliže je součástí aktuátoru předpjatý válečkový šroub, nevyjímejte jej z válce. Předpjaté šrouby vyžadují pro správnou demontáž a zpětnou montáž speciální nástroje a postupy. Ohledně dojednání údržby aktuátoru s předpjatým válečkovým šroubem kontaktujte Exlar Corporation.

Danish

Hvis din aktivator har en præmonteret valeskrue, må den ikke fjernes fra cylinderen. Præmonterede skruer kræver særligt værktøj og procedurer til korrekt demontering og genmontering. Kontakt Exlar Corporation for at arrangere vedligeholdelse af en aktivator med præmonteret valeskrue.

Dutch

Als uw actuator voorzien is van een rolschroef, verwijder deze dan niet van de cilinder. Voor deze voorgeladen schroeven zijn speciale gereedschappen en procedures nodig om ze te verwijderen en terug te plaatsen. Neem contact op met de Exlar Corporation om de voorgeladen schroefactuator te onderhouden.

Estonian

Kui mootor on varustatud eelpaigaldatud rullteoga, ärge eemaldage seda silindrist. Eelpaigaldatud tigde õigel viisil vabastamiseks ja uuesti kinnitamiseks peab kasutama eritööriistu ja spetsiaalseid töövõtteid. Eelpaigaldatud rullajami hoolduse korraldamiseks võtke ühendust ettevõttega Exlar Corporation.

French

Si votre actionneur est doté d'une vis à rouleaux préchargée, ne pas la retirer du cylindre. Le démontage et le remontage des vis préchargées nécessitent des outils et procédures spécialisés pour être effectués correctement. Veuillez contacter Exlar Corporation pour planifier l'entretien d'un actionneur à vis préchargée.

German

Wenn der Auslöser ein vorgewalztes Rollengewinde hat, nicht aus dem Zylinder entfernen. Vorgewalzte Gewinde erfordern besondere Werkzeuge und Verfahren zur korrekten Demontage und Wiederausammenbau. Wenden Sie sich an die Exlar Corporation, um die Wartung von Auslösern mit vorgewalztem Gewinde zu vereinbaren.

Greek

Εάν ο ενεργοποιητής σας διαθέτει προεγκατεστημένο ένα κυλινδρικό κοχλία, μην τον αφαιρέσετε από τον κύλινδρο. Οι προεγκατεστημένοι κοχλίες απαιτούν ειδικά εργαλεία και διαδικασίες για τη σωστή αποσυρμολόγηση και επανασυρμολόγηση. Επικοινωνήστε την Exlar Corporation για να προγραμματίσετε τη συντήρηση ενός ενεργοποιητή με προεγκατεστημένο κοχλία.

Hungarian

Ha az indítószerkezet előre behelyezett hengercsavarral rendelkezik, ne távolítsa azt el a cilinderből. Az előre behelyezett csavar speciális szerszámokat és a megfelelő szétszereléshez és összeszereléshez speciális eljárást igényel. Az előre behelyezett csavarral ellátott indítószerkezet karbantartásához lépjen kapcsolatba az Exlar Corporation-nel.

Italian

Se l'attuatore presenta una vite a rulli precaricata, non rimuoverla dal cilindro. Le viti precaricate richiedono strumenti e procedure speciali per lo smontaggio e il montaggio corretti. Contattare Exlar Corporation per programmare la manutenzione dell'attuatore a vite precaricata.

Latvian

Ja aktivatoram ir iebūvēta rullīšu skrūve, neizņemiet to no cilindra. Iebūvēto skrūvju izjaukšanai un salikšanai nepieciešami speciāli rīki un procedūras. Lai noorganizētu apkopi aktivatoram ar iebūvētu rullīšu skrūvi, sazinieties ar Exlar Corporation.

Lithuanian

Jei vykdomajame įtaise yra įdėtas įėgos pavaros sraigtas, neišimkite jo iš cilindro. Įdėtiems sraigtais tinkamai išimti ir sumontuoti būtini specialūs įrankiai ir metodikos. Kreipkitės į bendrovę Exlar Corporation, kad sutartumėte dėl vykdomojo įtaiso su įdėta srieginė pavara techninės priežiūros.

Polish

Jeżeli siłownik posiada wstępnie napiętą śrubę rolki, nie należy jej wyjmować z cylindra. Do właściwego demontażu i montażu wstępnie napiętych śrub wymagane są specjalne narzędzia oraz odpowiednie procedury. Należy skontaktować się z firmą Exlar Corporation, aby umówić się na przeprowadzenie konserwacji siłownika z wstępnie napiętą śrubą.

Portuguese

Se o seu actuador apresentar um parafuso de esferas pré-carregado, não o remova do cilindro. Os parafusos pré-carregados exigem ferramentas e procedimentos especiais para uma desmontagem e remontagem correctas. Contacte a Exlar Corporation para providenciar a manutenção de um actuador com parafuso pré-carregado.

Romanian

Dacă actuatorul dumneavoastră prezintă un șurub cu role preîncărcat, nu-l scoateți din cilindru. Șuruburile preîncărcate necesită instrumente și proceduri speciale pentru dezasamblarea și reasamblarea corectă. Contactați Exlar Corporation pentru a organiza mentenanța pentru un actuator cu șurub preîncărcat.

Slovak

Ak má spúšťač vopred nasadenú planétovú skrutku, neodstraňujte ju z valca. Na náležité odmontovanie a rozobratie vopred nasadených skrutiek sú potrebné špeciálne nástroje a postupy. Na zabezpečenie údržby spúšťača s vopred nasadenými skrutkami sa obráťte na spoločnosť Exlar Corporation.

Slovenian

Če je vaše sprožilo opremljeno s prednapetim valjčnim navojnim vretenom, ga ne odstranjujte iz valja. Za pravilno demontažo in ponovno montažo prednapetih vreten potrebujete specialna orodja. Če se želite dogovoriti za vzdrževanje sprožila s prednapetim vretenom, se obrnite na družbo Exlar Corporation.

Spanish

Si su actuator tiene un tornillo de rodillo precargado, no lo retire del cilindro. Los tornillos precargados requieren herramientas y procedimientos especiales para desmontarlos y volverlos a montar. Contacte con la Exlar Corporation para solicitar mantenimiento de un actuator con tornillo precargado.

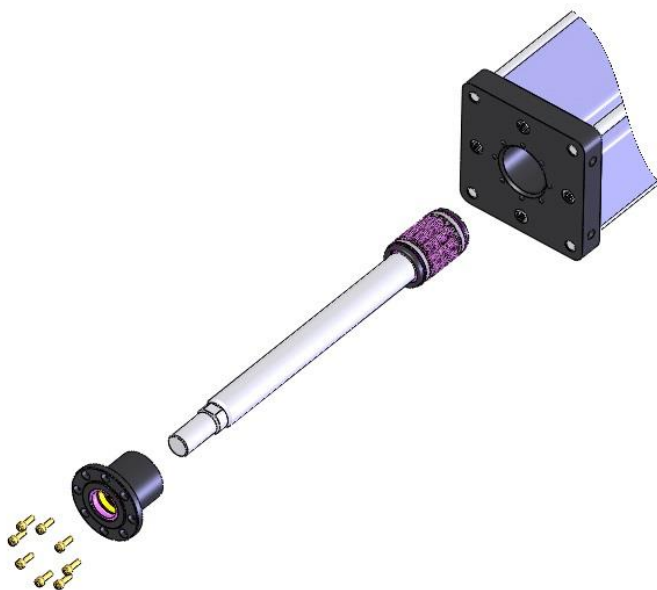
Swedish

Om manöverdonet är förladdat med en rullskruv ska den inte tas ur cylindern. Förladdade skruvar kräver särskilda verktyg och rutiner för att tas isär och sättas samman på rätt sätt. Kontakta Exlar Corporation för att bestämma underhåll av ett manöverdon med förladdad skruv.

Disassembly

Refer to the exploded view on the following page.

- 1.) Remove the actuator assembly from the machine by disconnecting the cables, main rod coupling and actuator mounting bolts or fasteners.
- 2.) If your unit does not have an external anti-rotate assembly, skip this step. Loosen the screw that clamps the anti-rotate cross member to the actuator output rod. Slide the anti-rotate mechanism forward and off the actuator.
- 3.) Remove the screws holding the seal gland to the face plate. With the screws removed, pull the seal gland off. There is a recess around the gland which may be used for prying.
- 4.) When the seal gland is removed, the open end of the roller screw internally threaded cylinder (ITC) is visible. The roller screw can be removed by turning it counter clockwise and threading it out of the cylinder. It may be necessary to keep the roller screw cylinder from turning to remove the screw.



Lubrication Maintenance

Grease lubricated units will require periodic inspection and renewal of the roller screw grease. The table below shows the recommended grease renewal period.

RMS rotational speed (RPM)	Recommended Grease Renewal Period (hours)	
	CASE TEMP 65°C (149°F)	CASE TEMP 80°C (176°F)
250	10,000	5,000
500	8,500	4,250
1000	6,000	3,000
1500+	3,500	1,750

Grease Renewal

The roller screw cylinder and the roller screw assembly are the components that require grease. They require a coating of grease. They do not need to be packed with grease. Excess grease requires more torque from the motor when returned to operation, and does not improve the lubrication of the unit.

- 1.) Use a brush to work approximately 0.5 in³ of grease for every 3 inches of stroke length into the roller screw cylinder. Be sure to cover all of the threaded areas of the cylinder.
- 2.) Use a brush to work grease in to the roller screw assembly. Be sure to cover all the threaded surfaces of the screw assembly. This can be accomplished by applying grease to a few places on the roller screw assembly and rotating the components repeatedly in both directions to work the grease into the assembly.

Reassembly

- 1.) Rethread the roller screw into the internally threaded cylinder (ITC). It is a multiple start screw, and this is not always easy. **DO NOT FORCE THE ROLLER SCREW INTO THE CYLINDER.** It is best to have the actuator vertical with the open end of the roller screw cylinder facing up. Position the roller screw above the cylinder so that it is aligned axially with the ITC. Slowly turn the roller screw 1/4 to 1/2 a turn counterclockwise with it in contact with the ITC. This will help to align the threads on the roller screw with the threads in the ITC. Rotate the roller screw clockwise and it should begin to thread into the cylinder. If it does not turn freely, remove it and begin again. When threading the screw into the cylinder, it will roll freely into the actuator. When it reaches the portion of the cylinder that contains the motor magnets, the roller screw will be more difficult to turn because of the magnetic field of the magnets. **THIS IS NORMAL.** Continue to thread the roller screw into the cylinder. When it reaches the bottom, it will become difficult to turn and the motor and bearings will begin to rotate with it. The roller screw is now fully inserted into the cylinder.
- 2.) Place a small amount of seal lubricant on the inside surface of the seal/bushing assembly.
- 3.) Carefully slide the bushing/seal assembly over the actuator rod end. The seal is a tight fit on the rod end. Take care not to damage the seal on the threads of the rod. Rods have a chamfer to provide a lead in for replacement of the seal. The mounting screws should have a low or medium strength thread locker added, such as Loctite 222MS.

WARNING



English

Take caution when installing the gland over the rod and into the actuator housing. These joints compromise flame paths on the actuator. If parts become damaged consult Exlar prior to re-installing.

Bulgarian

Обърнете внимание, когато извършвате монтажа на муфата върху оста и в картера на изпълнителния механизъм. Тези съединения компрометират безопасността от взрив и запалване на изпълнителния механизъм. Ако се повредят някои части, преди ремонта се посъветвайте с Exlar.

Croatian

Budite pažljivi pri instalaciji uvodnice preko šipke i u kućište aktuatora. Ti spojevi mogu ugroziti protupožarne putove unutar aktuatora. U slučaju oštećenja dijelova prije ponovne instalacije obratite se tvrtki Exlar.

Czech

Věnujte pozornost montáži ucpávky na táhlo a do skříně aktuátoru. Tyto spoje narušují cesty plamene aktuátoru. Dojde-li k poškození dílů, před opětovnou montáží to konzultujte se společností Exlar.

Danish

Vær forsigtig, når pakningen installeres over stangen og i aktivatorhuset. Disse led kompromitterer flammestier på aktivatoren. Hvis dele bliver beskadigede, skal Exlar kontaktes inden geninstallering.

Dutch

Let op bij het installeren van de pakkingen over de as en in de behuizing van de actuator. Deze verbindingen maken deel uit van de vlambaan van de actuator. Indien onderdelen beschadigd raken, neem dan contact op met Exlar voorafgaand aan het herplaatsen.

Estonian

Olge ettevaatlik läbiviigu paigaldamisel võllile ja mootori korpusse. Need liitmikud moodustavad mootori tuleteed. Kui osad saavad kahjustatud, pidage enne uuesti paigaldamist nõu Exlar.

French

Prendre des précautions lors de l'installation du presse-étoupe sur la tige et dans le logement de l'actionneur. Ces joints compromettent le chemin de flamme sur l'actionneur. Si des pièces sont endommagées, veuillez consulter Exlar avant la remise en place.

German

Gehen Sie vorsichtig vor, wenn Sie die Verschraubung auf dem Stab und im Gehäuse installieren. Diese Gelenke stellen den Flammenweg am Auslöser dar. Wenn Teile beschädigt werden, wenden Sie sich an Exlar vor dem Wiedereinsetzen.

Greek

Δώστε προσοχή κατά την εγκατάσταση του στυπιοθλίπτη πάνω από τη ράβδο και μέσα στο περιβλήμα του ενεργοποιητή. Αυτές οι αρθρώσεις μειώνουν τις διαδρομές της φλόγας στον ενεργοποιητή. Αν προκληθεί βλάβη στα εξαρτήματα συμβουλευτείτε την Exlar πριν από την επανεγκατάσταση.

Hungarian

A tömítőperselynek a rúdra történő felhelyezése és az indítószerkezet borításába történő behelyezése során járjon el óvatosan. Ezek az illesztések veszélyeztetetik a láng útvonalát az indítószerkezeten. Ha egyes részek megsérülnek, az ismételt összeszerelés előtt lépjen kapcsolatba az Exlar vállalattal.

Italian

Prestare attenzione nell'installare la guarnizione sulla barra e nell'alloggiamento dell'attuatore. Tali guarnizioni compromettono i dispositivi antifiamma dell'attuatore. In caso di danni ad alcune parti consultare Exlar prima della re-installazione.

Latvian

Pāri stienim aktivatora korpusā uzstādot blīvslēgu, rīkojieties uzmanīgi. Šie savienojumi bojā uz aktivatora esošos liesmu kanālus. Ja detaļas ir bojātas, pirms to uzstādīšanas atpakaļ sazīnieties ar Exlar.

Lithuanian

Būkite atsargūs maudami riebokšlį ant strypo ir į vykdyimo įtaiso korpusą. Šie sujungimai daro pažeidžiamą vykdyimo įtaiso liepsnos kanalą. Jei dalys pažeidžiamos, pasitarkite su Exlar prieš vėl įmontuodami.

Polish

Podczas zakładania dławika na pręt, a następnie do obudowy siłownika należy zachować ostrożność. Takie połączenia mogą pogorszyć skuteczność ścieżki płomienia na siłowniku. W razie uszkodzenia części przed dokonaniem ponownego montażu należy skontaktować się z firmą Exlar.

Portuguese

Tenha cuidado quando instalar o conector sobre a haste e na estrutura do actuador. Estas juntas comprometem as vias anti-chama no actuador. Se as peças se danificarem, consulte a Exlar antes da reinstalação.

Romanian

Procedați cu atenție când instalați presgarnitura peste tijă și în locașul actuatorului. Aceste joncțiuni compromit direcționarea flăcării pe actuator. Dacă piesele se deteriorează, consultați Exlar înainte de reinstalare.

Slovak

Pri inštalácii tesniaceho krúžka na oje a na teleso spúšťača dávajte pozor. Tieto spoje zabráňujú šíreniu plameňa. AK sa tieto časti poškodia, poraďte sa pred opätovným založením so spoločnosťou Exlar.

Slovenian

Bodite pazljivi pri nameščanju vijáčnega spoja preko droga in v ohišje sprožila. Ti spoji škodujejo potem plamena na sprožilu. Če se deli poškodujejo, se pred ponovno namestitvijo obrnite na družbo Exlar.

Spanish

Extreme las precauciones cuando instale el prensacables sobre la varilla y en la carcasa del actuador. Estas articulaciones comprometen las rutas de llamas en el actuador. Si las partes se dañan consulte con Exlar antes de volver a instalar.

Swedish

Var försiktig när packningen monteras på stängen och in i manöverdonets hölje. Fogarna äventyrar manöverdonets flamvägar. Om någon del skulle skadas ska du kontakta Exlar innan den sätts tillbaka.

WARNING



English

Do not reassemble the gland with fewer than 8 screws. Screws must be stainless steel M4 x 12mm socket head cap screws with a tensile strength of 700 MPa min. Screws must be torqued to 1.6 Nm (14 in*lbs) ± 10%.

Bulgarian

Не се сглоби жлеза с по-малко от 8 винта. Винтовете трябва да са от неръждаема стомана M4 x 12 mm капачка винтове с гнезда с якост на опън от 700 MPa мин. Винтове трябва да се завият за 1.6 Nm (14 * кг) ± 10%.

Croatian

Nemojte ponovno sastaviti žljezda s manje od 8 vijaka. Vijci moraju biti od nehrđajućeg čelika M4 x 12mm socket glavu kapa vijaka s vlačnom čvrstoćom od 700 MPa min. Vijci moraju biti obrtanja 1,6 Nm (14 u * lbs) ± 10%.

Czech

Nepoužívejte namontujte žlázu s méně než 8 šrouby. Šrouby musí být z nerezové oceli M4 x 12mm Závrtné šrouby s pevností v tahu 700 MPa min. Šrouby musí být utaženy na 1,6 Nm (14 v * lbs) ± 10%.

Danish

Du må ikke samle kirtel med færre end 8 skruer. Skruer skal være rustfrit stål M4 x 12mm socket head cap skruer med en trækstyrke på 700 MPa min. Skruer skal tilspændes til 1,6 Nm (14 i * lbs) ± 10%.

Dutch

Niet monteer de klier met minder dan 8 schroeven. Schroeven moeten roestvrij staal M4 x 12mm inbusbouten met een treksterkte van 700 MPa min. Schroeven moeten worden aangedraaid tot 1,6 Nm (14 in * lbs) ± 10%.

Estonian

Ärge paigaldage tagasi alatalitlus on vähem kui 8 kruvid. Kruvid peavad olema roostevabast terasest M4 x 12mm pesapeapolti kruvid tõmbetugevus 700 MPa min. Kruvid tuleb pingutada 1,6 Nm (14 * lbs) ± 10%.

French

Ne pas remonter la glande de moins de 8 vis. Les vis doivent être en acier inoxydable M4 vis à tête creuse x 12mm avec une résistance à la traction de 700 MPa min. Les vis doivent être serrés à 1,6 Nm (14 lbs *) ± 10%.

German

Die Drüse mit weniger als 8 Schrauben montieren Sie nicht. Schrauben müssen Stahl M4 x 12mm Sechskantschrauben aus Edelstahl mit einer Zugfestigkeit von 700 MPa min. Schrauben müssen bis 1,6 Nm (14 in * lbs) ± 10% angezogen werden.

Greek

Μην την επανασυγκρότηση του αδένα με λιγότερους από 8 βίδες. Βίδες πρέπει να είναι από ανοξείδωτο χάλυβα βίδες M4 με κεφαλή υποδοχή x 12 χιλιοστά, με αντοχή στον εφελκυσμό 700 MPa λεπτά. Βίδες πρέπει να ροπή στρέψης 1,6 Nm (14 * lbs) ± 10%.

Hungarian

Ne szerelje fel a mirigy kevesebb, mint 8 csavart. Csavarokat kell rozsdamentes acél M4 x 12mm kulcsnyílású csavar szakítószilárdsága 700 MPa min. Csavarokat kell meghúzni, hogy 1,6 Nm (14 * lbs) ± 10%.

Italian

Non riasssemblare la ghiandola con meno di 8 viti. Le viti devono essere viti a esagono incassato x 12mm in acciaio inox M4 con una resistenza a trazione di 700 MPa min. Le viti devono essere serrati a 1,6 Nm (14 in libbre *) ± 10%.

Latvian

Nelietojiet Salieciet dziedzeris ar mazāk nekā 8 skrūvēm. Skrūves jābūt nerūsējošā tērauda M4 x 12mm ligzdu vadītājs skrūves ar stiepes izturību 700 MPa min. Skrūves jābūt savilka 1,6 Nm (14 in * LBS) ± 10%.

Lithuanian

Negalima surinkite liauką su mažiau nei 8 varžtais. Varžtai turi būti nerūdijančio plieno M4 x 12mm galvute varžtai, kurių tempiamasis įtempis 700 MPa min. Varžtai turi būti sukimo 1,6 Nm (14 in * lbs) ± 10%.

Polish

Nie należy zamontować dławik z mniej niż 8 śrub. Śruby ze stali nierdzewnej może być śruby z łbem M4 x 12mm z gniazdem o wytrzymałości na rozciąganie 700 MPa min. Śruby muszą być dokręcone do 1,6 Nm (14 funtów) w * ± 10%.

Portuguese

Não remontar a glândula com menos de 8 parafusos. Os parafusos devem ser de aço inoxidável M4 parafusos de cabeça de soquete x 12 milímetros com uma resistência à tracção de 700 MPa min. Os parafusos devem ser apertadas a 1,6 Nm (14 * em libras) ± 10%.

Romanian

Nu reasambla glanda cu mai puțin de 8 șuruburi. Șuruburi trebuie să fie din oțel M4 șuruburi cu cap soclu x 12mm inoxidabil cu o rezistență la rupere de 700 MPa min. Șuruburile trebuie să fie torsionate la 1,6 Nm (14 in * lbs *) ± 10%.

Slovak

Nepoužívajte namontujte žľazu s menej ako 8 skrutkami. Skrutky musia byť z nerezovej ocele M4 x 12mm Závrtné skrutky s pevnosťou v ťahu 700 MPa min. Skrutky musia byť dotiahnuté na 1,6 Nm (14 v * lbs) ± 10%.

Slovenian

Ne sestavite žlezo z manj kot 8 vijaki. Vijaki morajo biti iz nerjavečega jekla M4 x 12mm vtičnica glavo cap vijaki z natezno trdnostjo 700 MPa min. Vijaki treba torqued do 1,6 Nm (14 v * £) ± 10%.

Spanish

No volver a montar la glándula con menos de 8 tornillos. Los tornillos deben ser tornillos de acero inoxidable de cabeza hueca M4 x 12mm de acero con una resistencia a la tracción de 700 MPa min. Los tornillos deben ser apretados a 1,6 Nm (14 in * libras) ± 10%.

Swedish

Inte ihop körteln med färre än 8 skruvar. Skruvar måste vara av rostfritt stål M4 x 12mm insexskruvarna med en draghållfasthet på 700 MPa min. Skruvarna måste dras åt till 1,6 Nm (14 * lbs) ± 10%.

- 4.) If your actuator has an external anti-rotate mechanism, slide the rod or rods of the anti-rotate mechanism through the front flange and into the guide bushing or bushings mounted to the rear of the flange. Position the extending rod so that the wrench flats are parallel to the long side of the flange. Slide the cross member assembly of the anti-rotate mechanism over the end of the rod and onto the wrench flats. Tighten the screw that clamps the assembly to the actuator rod.

Returning Product for Repair

STANDARD EVALUATION AND REPAIR LEADTIME:

- Leadtime is dependent upon production capacity and level of demand. Please contact the factory for current leadtime.

EXPEDITED EVALUATION LEADTIME:

- An additional charge per unit can be quoted to expedite an evaluation.
- Ability to expedite is dependent upon production capacity and level of demand. Please contact the factory for current expedited evaluation lead time.

PROCEDURE:

- Please discuss the return with Exlar Technical Support prior to requesting an RGA number to see if it is possible to resolve the issue prior to return.
- If it is determined that an RGA number is required, please do so by completing an online RGA request form located at <http://exlar.com/return-authorization-request/>
 - International Repairs: Closely follow instructions provided by the Exlar Returned Goods Administrator. Failure to comply with issued instructions may result in delays for repair and return.
- Exlar requires a purchase order at the time of RGA; \$750 on warranty returns (refunded if warranty status is confirmed by the factory), or for the desired service package charge per unit on all non-warranty units.

TROUBLESHOOTING PROCEDURES

This section provides you with guidelines and hints on troubleshooting various problems that may be encountered during installation and operation of your Exlar GS/X Series actuator.

Symptom / Trouble	Possible Cause / Troubleshooting Procedure
No response from actuator.	<ol style="list-style-type: none"> 1. Check amplifier for faults that may indicate problem. 2. Check to insure that amplifier is enabled. 3. Check for proper wiring.
Actuator seems to be enabled (receiving current) but is not operating or is operating erratically.	<ol style="list-style-type: none"> 1. Amplifier may be improperly tuned. Check all gain settings. If a motor file or parameters specific to your amplifier/actuator combination have been supplied by Exlar, be sure that they are entered or downloaded properly. 2. Amplifier may be set up improperly for the particular motor being used. Check amplifier settings for number of poles, voltage, current, resistance, inductance, inertia, etc. 3. Feedback wiring may be incorrect. 4. Feedback conductors are touching, or feedback cable may be damaged. 5. Motor phases are wired incorrectly or in incorrect order. (R,S,T). 6. Feedback (resolver or encoder) is improperly aligned. Contact Exlar.
Actuator cannot move load.	<ol style="list-style-type: none"> 1. Load is too large for the capacity of the actuator or too much friction is present. 2. Excessive side load. 3. Misalignment of output rod to load. 4. Amplifier has too low of current capacity or is limited to too low of current capacity.
Actuator housing moves or vibrates when shaft is in motion.	<ol style="list-style-type: none"> 1. Check actuator mounting. Insure that the actuator is securely mounted. 2. Amplifier is improperly tuned (wrong gain settings.) Tune amplifier.
Output rod rotates during motion and thus does not provide proper linear motion.	<ol style="list-style-type: none"> 1. Install Exlar anti-rotation assembly or incorporate anti-rotation into the application.
Brake does not hold load in place.	<ol style="list-style-type: none"> 1. Load is larger than the capacity of the brake. -check load level against actuator rating -oil lubricated units reduce holding capacity of the brake 2. Brake is not engaged. (Power is not removed, or only partially removed from brake). 3. Brake is being used as other than a power loss holding brake.
Actuator is overheating.	<ol style="list-style-type: none"> 1. Insufficient cooling for application requirements. See oil cooling section of this manual or Exlar catalog or contact Exlar engineering. 2. Actuator is being operated outside of continuous ratings. 3. Amplifier is poorly tuned causing excessive unnecessary current to be applied to motor. Check Gain settings.

CERTIFICATIONS

EU Declaration of Conformity

This declaration is issued under the sole responsibility of the manufacturer.

*The undersigned, representing the
Manufacturer
Exlar Corporation
18400 West 77th Street
Chanhassen, MN 55317 USA*

*and the authorized representative
established within the community
Exlar GmbH
Frankfurter Str. 107
65479 Rammheim, Germany*

Declares, that the Exlar Brand Products:

EL/ER120 Series Actuators
(Complete Model Listing Below)

Model Identification:
EL120 Linear Actuators
ER120 Rotary Actuators

*The objects of the declaration described above is in conformity with the relevant
Union harmonization legislation.*

Per directives listed below:

EU ATEX Directive 94/9/EC (until April 19th, 2016)

EU ATEX Directive 2014/34/EU (from April 20th, 2016)


EC Type Examination Certificate No. Sira 15ATEX1010X

*Examination performed by: SIRA Test & Certification Ltd Notified Body No. 0518
Rake Lane, Eccleston, Chester, CH14 9JN England*

Registration transferred to: CSA Group Netherlands B.V. Notified Body No. 2813 Oct 15th, 2019

Using the relevant section of the following EU standards and other normative documents:

- | | |
|---------------------------------|---|
| ATEX: EN 60079-0:2012/A11: 2013 | Electrical Apparatus for Explosive Gas Atmospheres – Part 0: General Requirements. |
| ATEX: EN 60079-1: 2007 | Explosive Atmospheres – Part 1: Equipment Protection by Flameproof Enclosure “d” |
| ATEX: EN 60079-1: 2014 | EN 60079-1: 2014 has been compared to EN 60079-1: 2007 and no changes in the “State of the Art” apply to the equipment. |
| UL 429 6th Edition | Electrically Operated Valves |
| Year of CE Marking: 2015 | |

Signature: 
Name: Robert Panning
Position: Manager Product Development, Engineering
Date of Issue: 01-Aug-2017

Per EU directives implemented on April 20th, 2016 the following requirement for requirement must be followed by Importers and Distributors.

The requirements for importers include:

Importers shall indicate their name, registered trade name or registered trade mark and the postal address at which they can be contacted on the apparatus (unless that is not possible, in which case it should be included on the packaging or in an accompanying document).

Importers shall ensure that the product is accompanied by instructions and safety information in a language which can be easily understood by end-users, as determined by the Member State concerned.

Importer is to translate the EU declaration of conformity into the languages required by the member state(s), where the product is sold." Importers shall keep a copy of the EU declaration of conformity (for 10 years).

Importers shall provide a reasoned request from a competent national authority and provide it with all the information and documentation in paper or electronic form necessary to demonstrate the conformity of a product in a language which can be easily understood by that authority.

Importers shall ensure that, while apparatus is under their responsibility, its storage or transport conditions do not jeopardize its compliance with the safety objectives.

Importer shall corrective action necessary when they consider or have reason to believe that the product is not in conformity with its directive(s).

The requirements for distributor include:

Distributors shall indicate their name, registered trade name or registered trade mark and the postal address at which they can be contacted on the apparatus (unless that is not possible, in which case it should be included on the packaging or in an accompanying document).

Distributor shall ensure that apparatus is accompanied by instructions and safety information in an appropriate language. Distributor shall translate the EU declaration of conformity into the languages required by the member state(s), where the product is sold." Distributors shall keep a copy of the EU declaration of conformity (for 10 years).

Distributor shall ensure that, while apparatus is under their responsibility, its storage or transport conditions do not jeopardize its compliance with the safety objectives.

Distributor shall corrective action necessary when they consider or have reason to believe that the product is not in conformity with its directive(s).



Certificate of Compliance

Certificate: 2166693 (109156_0_000)

Master Contract: 163694

Project: 70105666

Date Issued: 2017-03-17

Issued to: Exlar Corporation
18400 West 77th St
Chanhassen, Minnesota 55317
USA
Attention: Larry Lunzer

The products listed below are eligible to bear the CSA Mark shown with adjacent indicators 'C' and 'US' for Canada and US or with adjacent indicator 'US' for US only or without either indicator for Canada only.



Issued by: Sorin Tat
Sorin Tat

PRODUCTS

CLASS - C322882 - VALVES-Actuators - For Hazardous Locations-Certified to U.S. Standards

CLASS - C322802 - VALVES-Actuators - For Hazardous Locations

Class I, Division 1, Group BCD

-Model EL 100 Linear Actuator, Rated:
24-120Vdc – 25A Max, 2420 W Max or
115-460 Vac, 50 / 60 Hz, 25A Max, 2420 W Max
T3C, Ta -29°C to +93°C.

EL100 Model Code information

EL100-06xx-axx-xxx-xbx-xx-ex-l3-xxxxx

a – Connections

- T – Terminal Strip with 3/4" NPT housing access, Two Rows
- S – Terminal Strips with 3/4" NPT housing access, Single Row

b - Voltage Rating

- A = 24 VDC
- B = 48 VDC



Certificate: 2166693
Project: 70105666

Master Contract: 163694
Date Issued: 2017-03-17

C = 120 VDC
1 = 115 Volt RMS
3 = 230 Volt RMS
5 = 400 Volt RMS
6 = 460 Volt RMS
X = Special Voltage Rating - Not to Exceed 460 Vrms

c – Optional Mechanical and Speed Designations

RB = Rear Brake
01-99 = Speed (RPMx100)
PF = Preloaded Follower
AR = External Anti Rotate Assembly
XT = Special Travel Options
XL = Special Lubricant

x – denotes options not affecting safety

CLASS - C322882 - VALVES-Actuators - For Hazardous Locations-Certified to U.S. Standards

CLASS - C322802 - VALVES-Actuators - For Hazardous Locations

Class I, Division 1, Group B,C,D

-Model EL120 Linear Actuator and ER120 Rotary Actuator, Rated:
24Vdc, 48Vdc, 120Vdc, 115Vrms, 230Vrms, 400Vrms, 460Vrms (or a Special Voltage Rating not exceeding 460 Vrms) and 30Arms max. Temperature Code T4 (135°C), -29°C ≤ Ta ≤ +93°C, IP66, Enclosure Type 4

EL120 Model Code information:

EL120-aaxx-bxxx-xxx-cde-ff-(gg-...-gg)-xxxxx

aa – Stroke length

18" maximum

b – Connection

F - Two ¼" NPT Ports: Front Facing as viewed from shaft end
B - Two ¼" NPT Ports: Back Facing as viewed from shaft end
R - Two ¼" NPT Ports: Right Facing as viewed from shaft end
L - Two ¼" NPT Ports: Left Facing as viewed from shaft end
X - Special NPT Ports – up to 4 x ¼" NPT or Smaller

c – Motor Stacks

1 – One stack of magnets
2 – Two stacks of magnets
3 – Three stacks of magnets

d – Voltage Rating

A – 24Vdc
B – 48Vdc
C – 120Vdc
1 – 115Vrms
3 – 230Vrms



Certificate: 2166693
Project: 70105666

Master Contract: 163694
Date Issued: 2017-03-17

- 5 – 400Vrms
- 6 – 460Vrms
- X – Special Not to Exceed 460Vrms
- e – Poles
 - 8 – 8 pole Motor
- ff – Motor Speed
 - 01-45 = Speed RPMx100
- gg – Optional Mechanical
 - X1 – Special Lubrication
 - PF – Preloaded Follower
 - AR = Anti-Rotate Assembly
 - RB – Rear Brake
 - HW – Side Handwheel Drive
 - SD – Side Hex Drive
 - CD – Crank Drive
 - XT – Special Travel Option
 - Non-Standard Roller Count
 - Deep Groove Ball Bearings
 - Stainless Steel Main Rod
 - XH – Special Housing Option
 - Special Coating

“x” designation are options that do not affect safety

ER120 Model Code information:

ER120-xxx-xax-xxx-bcd-cc-(ff...-ff)-xxxxx

a – Connection

- F - Two ¾" NPT Ports: Front Facing as viewed from shaft end
- B - Two ¾" NPT Ports: Back Facing as viewed from shaft end
- R - Two ¾" NPT Ports: Right Facing as viewed from shaft end
- L - Two ¾" NPT Ports: Left Facing as viewed from shaft end
- X - Special NPT Ports – up to 4 x ¾" NPT or Smaller

b – Motor Stacks

- 1 – One stack of magnets
- 2 – Two stacks of magnets
- 3 – Three stacks of magnets

c – Voltage Rating

- A – 24Vdc
- B – 48Vdc
- C – 120Vdc
- 1 – 115Vrms
- 3 – 230Vrms
- 5 – 400Vrms
- 6 – 460Vrms
- X – Special Not to Exceed 460Vrms



Certificate: 2166693
Project: 70105666

Master Contract: 163694
Date Issued: 2017-03-17

- d – Poles
 - 8 – 8 pole Motor
- cc – Motor Speed
 - 01-45 = Speed RPMx100
- ff – Optional Mechanical
 - XL – Special Lubrication
 - LB – Low Backlash Gears
 - HW – Side Handwheel Drive
 - SD – Side Hex Drive
 - CD – Crank Drive
 - X11 – Special Housing Option
 - Special Coating

“x” designation are options that do not affect safety

Notes:

1. Supply wires to be rated 105°C or more
2. This report covers certification of the actuator only. The associated electronic controller(s) required for the use of the actuator are not covered in this report. The suitability of the controller-actuator combination is based upon acceptance of the authority having jurisdiction.
3. Maximum Ratings limited to 20 A max and 2420 W when using Allen Bradley 1492-LMJ3 terminals.

APPLICABLE REQUIREMENTS

CAN/CSA Standard C22.2 No. 0-10

CSA Standard C22.2 No. 0.4-04

CSA Standard C22.2 No. 0.5-1982

CSA Standard C22.2 No. 30-M1986

CSA Standard C22.2 No. 139-2013

CSA Standard C22.2 No. 145-11

UL Standard 429 - 7th Edition

UL 674 5th Ed

ANSI/UL Standard 1203 – 4th Edition

- General Requirements - Canadian Electrical Code, Part II
- Bonding of Electrical Equipment
- Threaded Conduit Entries
- Explosion-Proof Enclosures for Use in Class I Hazardous Locations
- Electrically Operated Valves
- Electric motors and generators for use in hazardous (classified) locations
- Electrically Operated Valves
- Electric Motors and Generators for Use in Division 1 Hazardous (Classified) Locations
- Explosion-Proof and Dust-Ignition-Proof Electrical Equipment for Use in Hazardous (Classified) Locations



Supplement to Certificate of Compliance

Certificate: 2166693 (109156 0 000)

Master Contract: 163694

The products listed, including the latest revision described below, are eligible to be marked in accordance with the referenced Certificate.

Product Certification History

Project	Date	Description
70105666	2017-03-17	To update 2166693 report to CSA 139-13 and UL 427 7th standards Editions as per CSA Signal Sensing and Controls No.12
70050712	2015-11-18	Update to Report 2166693 to include drawing revision updates
2669970	2014-05-27	Update to report 2166693 to include models EL120 (linear) and ER120 (rotary) actuators for Class I, Div 1, Grp BCD.
2631417	2013-06-19	Update of Report 2166693 to include addition of spring retraction assembly.
2525457	2012-05-25	Update to report 2166693 to update four controlled drawings and add resolver series.
2378848	2010-12-23	Update to Report 2166693 to document drawing revisions to model EL 100 linear actuator.
2236594	2009-11-30	update to report 2166693 to clarify construction and include alternate documentation
2166693	2009-09-18	Evaluation of EL100 Series Servo Linear Actuators for hazardous locations

S